

QHC8-100-1500-60-S

0.1~1.5GHz, 60W

Features:

- * Broadband
- * High Power
- * Low Insertion Loss

Applications:

- * Amplifiers
- * Transmitter
- * Laboratory Test
- * Radar

Electrical

Frequency ^{*1} :	0.1~1.5GHz
Insertion Loss:	0.3dB max.
VSWR:	1.3 max.
Isolation:	20dB min.
Amplitude Balance:	±0.2dB max.
Phase Balance:	180±2° max.
Average Power:	60W max.
Impedance:	50Ω

[1] Working frequency $F_c \pm 20\%$.

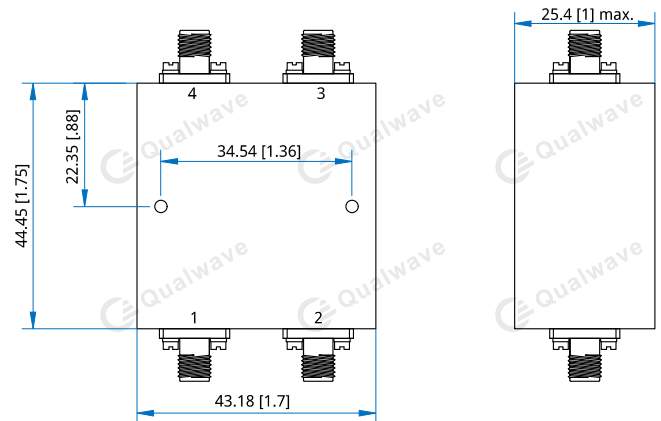
Mechanical

Size ^{*2} :	43.18*44.45*25.4mm 1.7*1.75*1in
Connectors:	SMA Female

[2] Exclude connectors.

Environmental

Operation Temperature:	-45~+85°C
------------------------	-----------

Outline Drawings


Unit: mm [in]

Tolerance: ±0.3mm [±0.012in]

	1	2	3	4
1	-	iso	0°	180°
2	iso	-	180°	0°
3	0°	180°	-	iso
4	180°	0°	iso	-

How To Order

QHC8-100-1500-60-S

Customization is available upon request.