

QHC8-7800-8500-30-S

7.8~8.5GHz, 30W

Features:

- * Broadband
- * High Power
- * Low Insertion Loss

Applications:

- * Amplifiers
- * Transmitter
- * Laboratory Test
- * Radar

Electrical

Frequency:	7.8~8.5GHz
Insertion Loss:	0.5dB max.
VSWR:	1.5 max.
Isolation:	18dB min.
Amplitude Balance:	±0.5dB max.
Phase Balance:	±5° max.
Average Power:	30W max.
Impedance:	50Ω

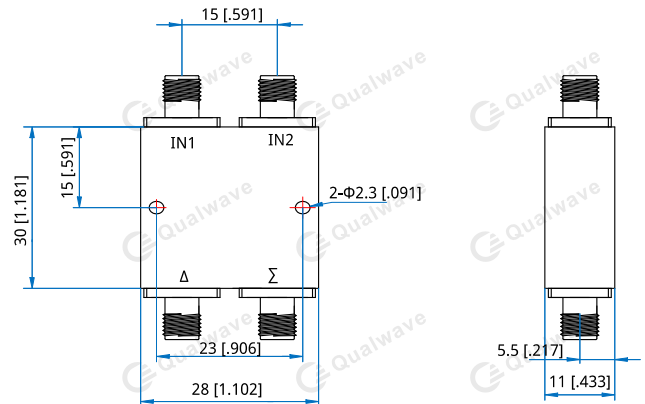
Mechanical

Size*1:	30*28*11mm 1.181*1.102*0.433in
Connectors:	SMA Female
Mounting:	2-Φ2.3mm through-hole

[1] Exclude connectors.

Environmental

Operation Temperature:	-40~+85°C
------------------------	-----------

Outline Drawings


Unit: mm [in]

Tolerance: ±0.5mm [±0.02in]

How To Order

QHC8-7800-8500-30-S

Customization is available upon request.