

QPD2-0-110000-1-1

DC~110GHz, 1W

Features:

- * Small Size
- * Low Insertion Loss

Applications:

- * Amplifiers
- * Mixers
- * Antennas
- * Laboratory Test

Electrical

Frequency:	DC~110GHz
Insertion Loss ^{*1} :	9dB max.
VSWR:	2.2 max.
Isolation:	8dB min.
Amplitude Balance:	±1.5dB
Phase Balance:	±15°
Impedance:	50Ω
Average Power:	1W

[1] Excluding theoretical loss 6.0dB.

Mechanical

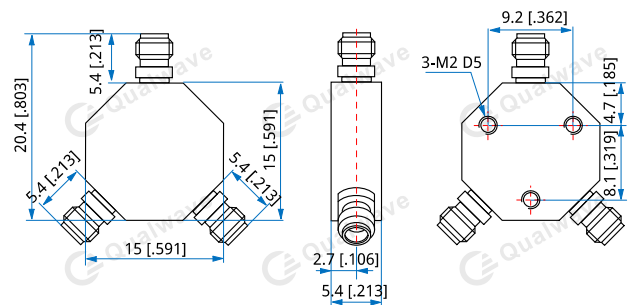
Size ^{*2} :	15*15*5.4mm 0.591*0.591*0.213in
Connectors:	1.0mm Female
Mounting:	3-M2mm depth 5

[2] Exclude connectors.

Environmental

Operation Temperature:	-20~+70°C
Non-operation Temperature:	-55~+85°C

Outline Drawings



Unit: mm [in]

Tolerance: ±0.5mm [±0.02in]

How To Order

QPD2-0-110000-1-1

Customization is available upon request.