

QPD2-1100-1700-30-DC

2-Way, 1.1~1.7GHz

Features:
 * Small Size
 * Low Insertion Loss

Applications:
 * Amplifiers
 * Mixers
 * Antennas
 * Laboratory Test

Electrical

Frequency:	1.1~1.7GHz
Insertion Loss*1:	0.3dB max. (SMA) 0.4dB max. (BNC)
Input VSWR:	1.2 max.
Output VSWR:	1.2 max.
Isolation:	20dB min.
Amplitude Balance:	0.2dB max.
Phase Balance:	±2°
Impedance:	50Ω
Power @SUM Port:	30W max. as divider 2W max. as combiner

[1] Excluding theoretical loss 3dB.

Mechanical

Connector:	SMA Female, BNC Female
Mounting:	4-Φ2.7mm through-hole

Environmental

Operation Temperature:	-35~+75°C
------------------------	-----------

How To Order

QPD2-1100-1700-30-Y-DC

Y: Connector type

Connector naming rules:

S - SMA Female (Outline A)

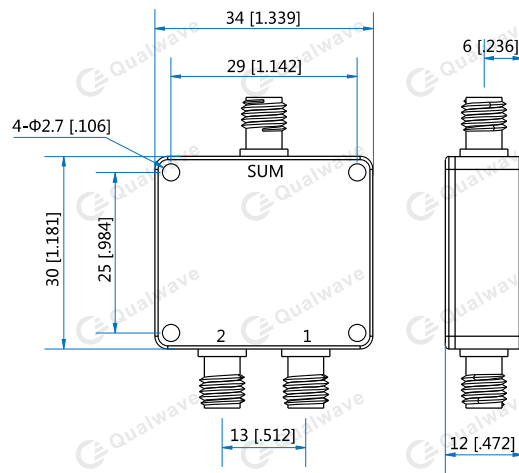
B - BNC Female (Outline B)

Examples:

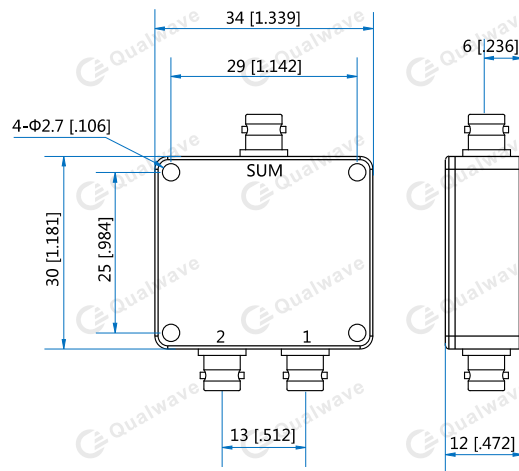
To order a 2-way power divider, 1.1~1.7GHz, 30W, SMA female, port 1 is DC blocked, specify QPD2-1100-1700-30-S-DC with comments port 1 is DC blocked.

Customization is available upon request.

Outline Drawings



Outline A



Outline B

Unit: mm [in]

Tolerance: ±0.5mm [±0.02in]