

QPD2-500-2000-30

2-Way, 0.5~2GHz, 30W

Features:
 * Small Size
 * Low Insertion Loss

Applications:
 * Amplifiers
 * Mixers
 * Antennas
 * Laboratory Test

Electrical

Frequency:	0.5~2GHz
Insertion Loss ^{*1} :	0.5dB max.
Isolation:	20dB min.
VSWR:	1.25 max.
Amplitude Balance:	±0.2dB
Phase Balance:	±2°
Impedance:	50Ω
Power @SUM Port:	30W as divider 2W max. as combiner

[1] Excluding theoretical loss 3dB.

Mechanical

Connectors:	SMA Female N Female
Mounting:	4-Φ3.2mm through-hole

Environmental

Operating Temperature:	-35~+75°C
Non-operating Temperature:	-45~+85°C

How To Order

QPD2-500-2000-30-Y

Y: Connector type

Connector naming rules:

S - SMA female (Outline A)

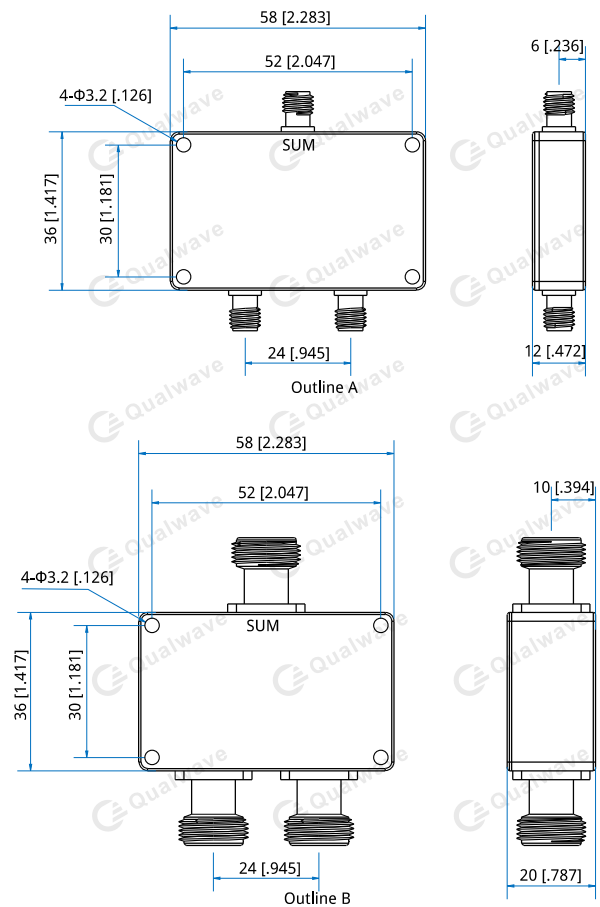
N - N female (Outline B)

Examples:

To order a 2-way power divider, 0.5~2GHz, 30W, N female, specify QPD2-500-2000-30-N.

Customization is available upon request.

Outline Drawings



Unit: mm [in]

Tolerance: ±0.5mm [±0.02in]