

QPD3-1000-3000-20-N

3-Way, 1~3GHz

Features:
 * Small Size
 * Low Insertion Loss

Applications:
 * Amplifiers
 * Mixers
 * Antennas
 * Laboratory Test

Electrical

Frequency:	1~3GHz
Insertion Loss ^{*1} :	1.2dB max.
Input VSWR:	1.3 max.
Output VSWR:	1.3 max.
Isolation:	20dB min.
Amplitude Balance:	±0.5dB
Phase Balance:	±5°
Impedance:	50Ω
Power @SUM Port:	20W max. as divider 1W max. as combiner

[1] Excluding theoretical loss 4.8dB.

Mechanical

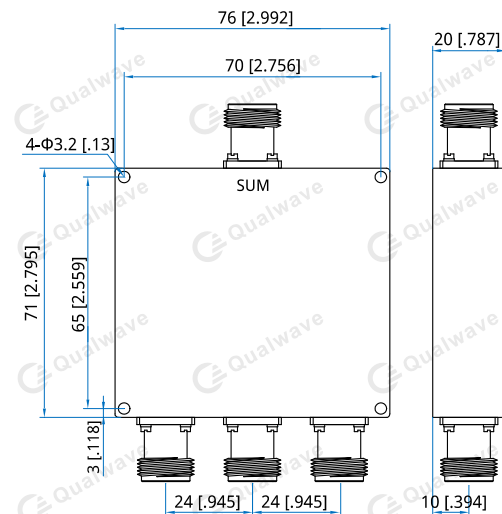
Size ^{*2} :	71*76*20mm 2.795*2.992*0.787in
Connectors:	N Female
Mounting:	4-Φ3.2mm through-hole

[2] Exclude connectors.

Environmental

Operation Temperature:	-35~+70°C
------------------------	-----------

Outline Drawings



Unit: mm [in]

Tolerance: ±0.3mm [±0.012in]

How To Order

QPD3-1000-3000-20-N

Customization is available upon request.