

QPD4-1000-2000-K2-N

4-Way, 1~2GHz, 200W

Features:
 * Small Size
 * Low Insertion Loss

Applications:
 * Amplifiers
 * Mixers
 * Antennas
 * Laboratory Test

Electrical

Frequency:	1~2GHz
Insertion Loss ^{*1} :	0.6dB max.
VSWR:	1.5 max.
Isolation:	15dB min.
Amplitude Balance:	±0.3dB max.
Phase Balance:	±10° max.
Power @SUM Port:	200W max. as divider 200W max. as combiner
Peak Power:	5000W min. (Duty cycle 5%)

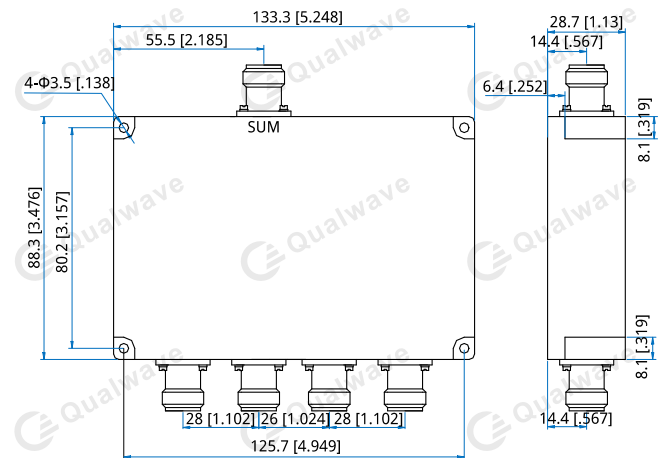
[1] Excluding theoretical loss 6.0dB.

Mechanical

Size ^{*2} :	133.3*88.3*28.7mm 5.248*3.476*1.13in
Connectors:	N Female
Mounting:	4-Φ3.5mm through-hole

[2] Exclude connectors.

Outline Drawings



Unit: mm [in]

Tolerance: ±0.2mm [±0.08in]

How To Order

QPD4-1000-2000-K2-N

Customization is available upon request.