

QPD4-500-2000-K4-NS

4-Way, 0.5~2GHz

Features:

- * Small Size
- * Low Insertion Loss

Applications:

- * Amplifiers
- * Mixers
- * Antennas
- * Laboratory Test

Electrical

Frequency:	0.5~2GHz
Insertion Loss*1:	0.7dB max.
Input VSWR:	1.5 max.
Amplitude Balance:	±0.6dB
Phase Balance:	±5°
Impedance:	50Ω
Power @SUM Port:	400W max. as divider 400W max. as combiner

[1] Excluding theoretical loss 6.0dB.

Mechanical

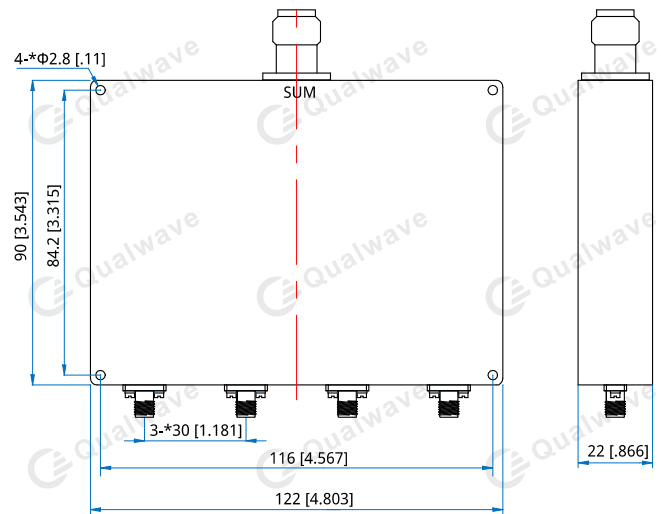
Size*2:	122*90*22mm 4.803*3.543*0.866in
Connector:	SMA Female N Female
Mounting:	4-Φ2.8 through-hole

[2] Exclude connectors.

Environmental

Operation Temperature:	-55~+85°C
------------------------	-----------

Outline Drawings



Unit: mm [in]

Tolerance: ±0.3mm [±0.012in]

How To Order

QPD4-500-2000-K4-NS

Customization is available upon request.