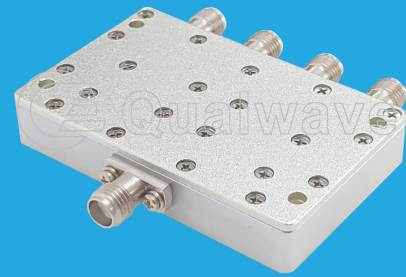


QPD4-6000-18000-20-S

4-Way, 6~18GHz



Features:
 * Small Size
 * Low Insertion Loss

Applications:
 * Amplifiers
 * Mixers
 * Antennas
 * Laboratory Test

Electrical

Frequency:	6~18GHz
Insertion Loss:	1.2dB max.
Input VSWR:	1.5 max.
Output VSWR:	1.5 max.
Isolation:	18dB min.
Amplitude Balance:	±0.3dB
Phase Balance:	±6°
Impedance:	50Ω
Power @SUM Port:	20W max. as divider 1W max. as combiner

Mechanical

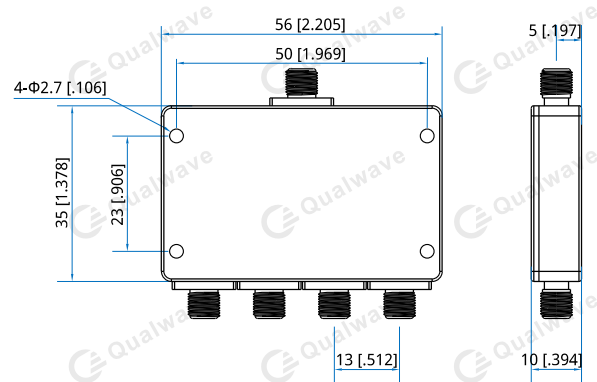
Size ^{*1} :	56*35*10mm 2.205*1.378*0.394in
Connectors:	SMA Female
Mounting:	4-Φ2.7mm through-hole

[1] Exclude connectors.

Environmental

Operation Temperature: -45~+85°C

Outline Drawings



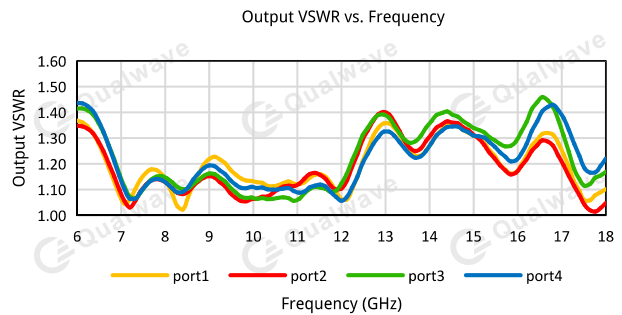
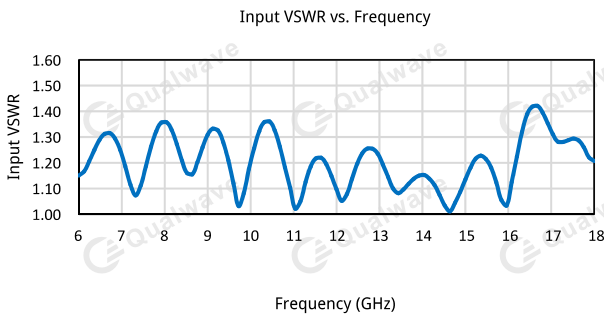
Unit: mm [in]
 Tolerance: ±0.5mm [±0.02in]

How To Order

QPD4-6000-18000-20-S

Customization is available upon request.

Typical Performance Curves



4-Way Power Divider/Combiner

