

QPD4-698-2700-K5-N

4-Way, 0.698~2.7GHz

Features:
 * Small Size
 * Low Insertion Loss

Applications:
 * Amplifiers
 * Mixers
 * Antennas
 * Laboratory Test

Electrical

Frequency:	0.698~2.7GHz
Insertion Loss ^{*1} :	0.6dB max.
Input VSWR:	1.45 max.
Amplitude Balance:	±0.25dB max.
Phase Balance:	±5° max.
Impedance:	50Ω
Power @SUM Port:	500W max. as divider 100W max. as combiner

[1] Excluding theoretical loss 6.0dB.

Mechanical

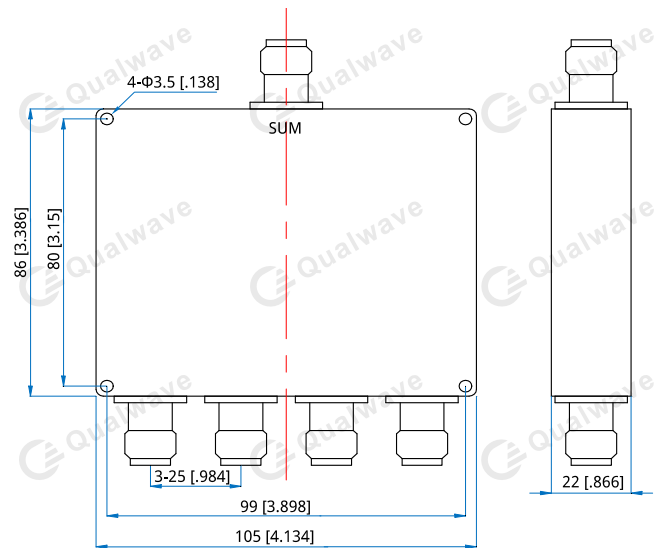
Size ^{*2} :	105*86*22mm 4.134*3.386*0.866in
Connectors:	N Female
Mounting:	4-Φ3.5mm through-hole

[2] Exclude connectors.

Environmental

Operation Temperature:	-35~+75°C
------------------------	-----------

Outline Drawings



Unit: mm [in]

Tolerance: ±0.3mm [±0.012in]

How To Order

QPD4-698-2700-K5-N

Customization is available upon request.