

QDRHA-1000-3000-6-N

1~3GHz, 6dB, N

Features:
* Broadband

Applications:
* Wireless
* Transceiver
* Laboratory Test
* Broadcast

Electrical

Frequency:	1~3GHz
VSWR:	2.5 max.
Gain:	6dBi min.
Polarization Method:	Linear
Impedance:	50Ω

Mechanical

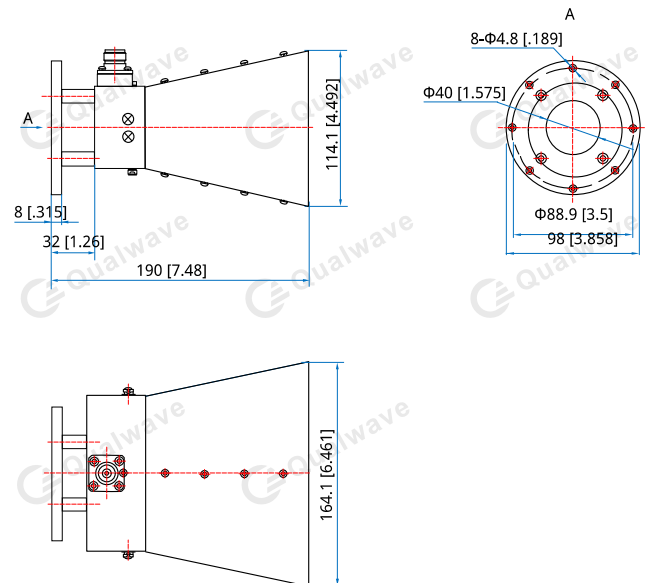
Size:	190*164.1*114.1mm 7.48*6.461*4.492in
Material:	Aluminium
Connectors:	N female

How To Order

QDRHA-1000-3000-6-N

Customization is available upon request.

Outline Drawings



Unit: mm [in]

Tolerance: ±0.2mm [±0.008in]