

QDRHA-800-4000-N

0.8~4GHz, N

Features:
* Broadband

Applications:
* Wireless
* Transceiver
* Laboratory Test
* Broadcast

Electrical

Frequency:	0.8~4GHz
VSWR:	1.5 max.
Gain:	9.64dB
H Plane Beam Width:	21.80°~103.96°
E Plane Beam Width:	27.75°~129.20°

Mechanical

Connectors: N Female

Environmental

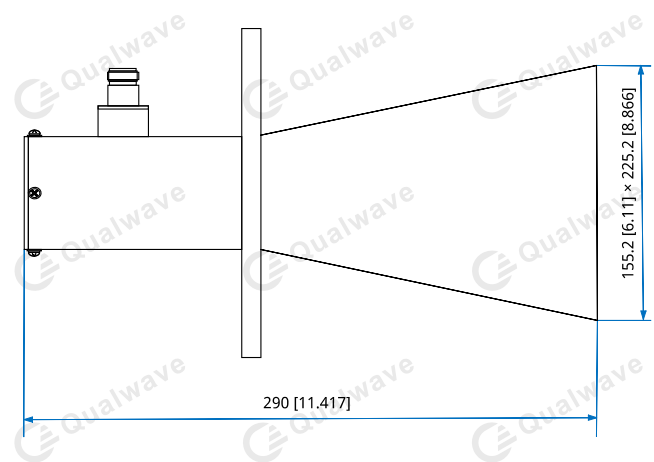
Non-operating Temperature: -10~+40°C

How To Order

QDRHA-800-4000-N

Customization is available upon request.

Outline Drawings



Unit: mm [in]

Tolerance: ±0.2mm [±0.008in]