

QC3-MG-Z600-1

3.5mm Male

Features:
* Low VSWR

Applications:
* Wireless
* Radar
* Instruments
* Electronics

Electrical

Frequency:	DC ~ 26.5GHz
VSWR:	1.3 max.
Impedance of Dielectric:	5000MΩ min.
Voltage Withstand:	1000V DC min.
Impedance:	50Ω

Mechanical

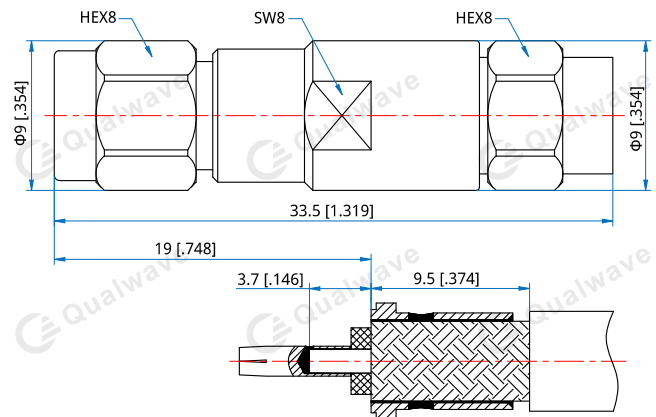
RF Connector:	3.5mm male
Mating Cable:	QZ600
Body:	Passivated stainless steel
Dielectric:	PTFE/PEI
Inner Conductor:	Gold plated brass/Gold plated beryllium copper

How To Order

QC3-MG-Z600-1

Customization is available upon request.

Outline Drawings



Unit: mm [in]
Tolerance: ±0.2mm [±0.008in]