

QC4-MCB-R600-1

4.3-10 Male

Features:
* Low VSWR

Applications:
* Wireless
* Radar
* Instruments
* Electronics

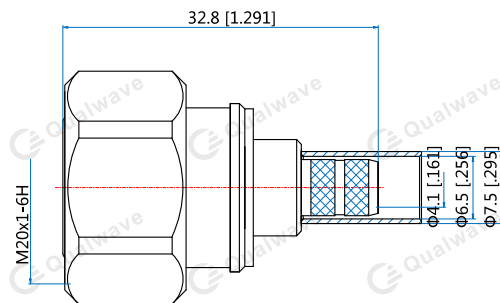
Electrical

Frequency:	DC~6GHz
VSWR:	1.2 max. @0~3GHz 1.3 max. @3~6GHz
Impedance of Dielectric:	5000MΩ min.
Working Voltage:	1000V rms
Impedance:	50Ω

Mechanical

RF Connector:	4.3-10 male
Mating Cable:	QR600
Outer Conductor:	Ternary alloy plated brass
Inner Conductor:	Silver plated phosphor bronze
Dielectric:	PTFE

Outline Drawings



Unit: mm [in]
Tolerance: ±1mm [±0.039in]

How To Order

QC4-MCB-R600-1

Customization is available upon request.