

## QC7-MCB-RG393-1

### 7/16 DIN Male Crimp

Features:  
\* Low VSWR

Applications:  
\* Wireless  
\* Radar  
\* Instruments  
\* Electronics

#### Electrical

Frequency:	DC~6GHz
VSWR:	1.3 max.
Impedance of Dielectric:	5000MΩ min.
Voltage Withstand:	1000V DC
Impedance:	50Ω

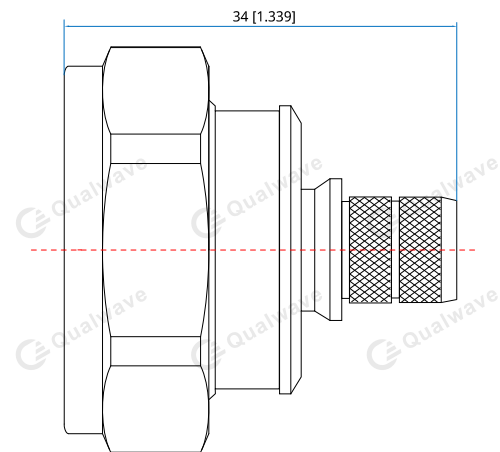
#### Mechanical

RF Connector:	7/16 DIN male
Mating Cable:	RG393
Mating Life Cycle:	500 cycles
Outer Conductor:	Ternary plated brass
Dielectric:	PTFE
Inner Conductor:	Silver plated brass

#### Environmental

Temperature:	-55~+165°C
--------------	------------

#### Outline Drawings



Unit: mm [in]  
Tolerance: ±0.2mm [±0.008in]

#### How To Order

**QC7-MCB-RG393-1**

Customization is available upon request.