

QCB-MCB-316-1

BNC Male, Crimp

Features:
* Low VSWR

Applications:
* Wireless
* Radar
* Instruments
* Electronics

Electrical

Frequency:	DC~6GHz
VSWR:	1.3 max.
Impedance of Dielectric:	5000MΩ min.
Voltage Withstand:	500V DC
Impedance:	50Ω

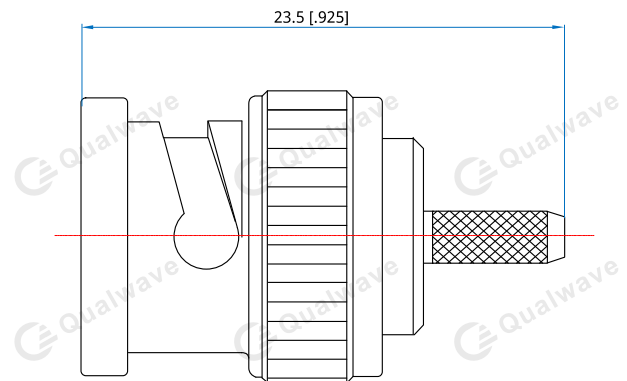
Mechanical

RF Connector:	BNC male
Mating Cable:	QH280, QE086, QD086, RG316
Mating Life Cycle:	500 cycles
Outer Conductor:	Nickel plated brass
Dielectric:	PTFE
Inner Conductor:	Gold plated phosphor copper

Environmental

Temperature:	-55~+125°C
--------------	------------

Outline Drawings



Unit: mm [in]

Tolerance: ±0.2mm [±0.008in]

How To Order

QCB-MCB-316-1

Customization is available upon request.