

QCL1-MG-A830-1

L16 Male

Features:
* Low VSWR

Applications:
* Wireless
* Radar
* Instruments
* Electronics

Electrical

Frequency: DC~18GHz
VSWR: 1.3 max.
Impedance: 50Ω

Mechanical

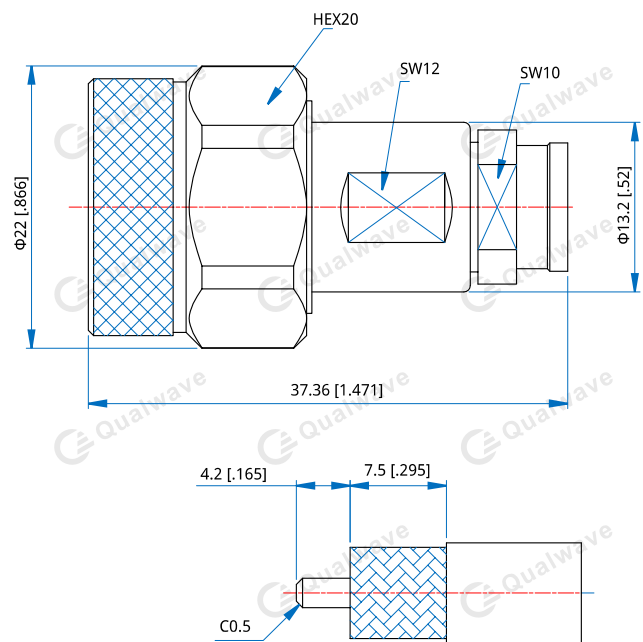
RF Connector: L16 male
Mating Cable: QA830
Outer Conductor: Passivated stainless steel
Inner Conductor: Gold plated brass

How To Order

QCL1-MG-A830-1

Customization is available upon request.

Outline Drawings



Unit: mm [in]

Tolerance: ±0.2mm [±0.008in]