

QCN-FL4G-A800-2

N Female

Features:
* Low VSWR

Applications:
* Wireless
* Radar
* Instruments
* Electronics

Electrical

Frequency: DC~18GHz
VSWR: 1.35 max.
Impedance: 50Ω

Mechanical

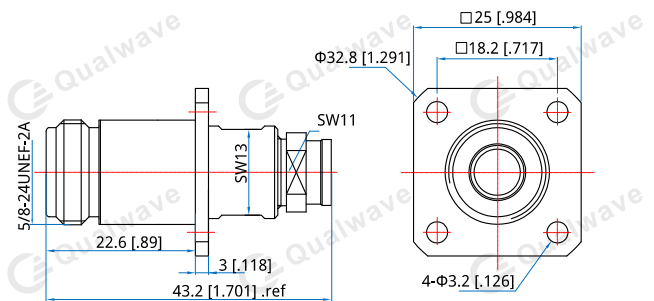
RF Connector: N Female
Mating Cable: QA800
Inner Conductor: Gold plated beryllium copper
Outer Conductor: Passivated stainless steel

How To Order

[QCN-FL4G-A800-2](#)

Customization is available upon request.

Outline Drawings



Unit: mm [in]

Tolerance: ±0.2mm [±0.008in]