

QCN-MRB-086-2

N Male Right Angle

Features:
* Low VSWR

Applications:
* Wireless
* Radar
* Instruments
* Electronics

Electrical

Frequency: DC-6GHz

Mechanical

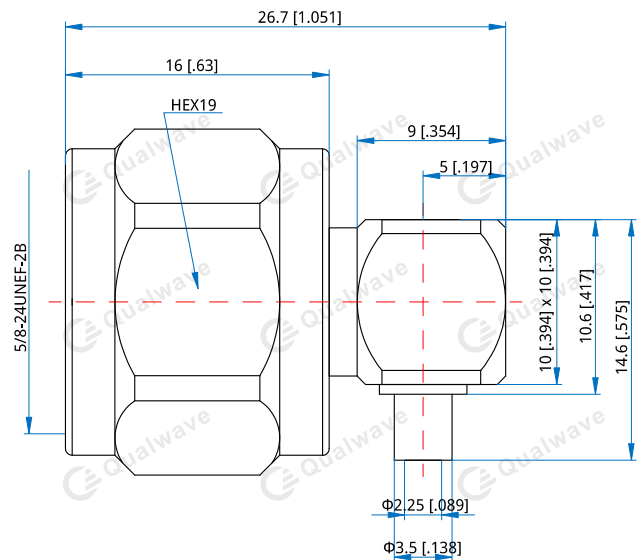
RF Connector: N male right angle
Mating Cable: QH280, QE086, QD086, RG316
Outer Conductor: Ternary alloy plated brass
Inner Conductor: Silver plated brass
Jacket: Nickel plated brass

How To Order

QCN-MRB-086-2

Customization is available upon request.

Outline Drawings



Unit: mm [in]

Tolerance: $\pm 0.2\text{mm}$ [$\pm 0.008\text{in}$]