

QCS-FHG-A800-1

SMA Female Bulk Head

Features:
* Low VSWR

Applications:
* Wireless
* Radar
* Instruments
* Electronics

Electrical

Frequency: DC~18GHz
VSWR: 1.35 max.

Mechanical

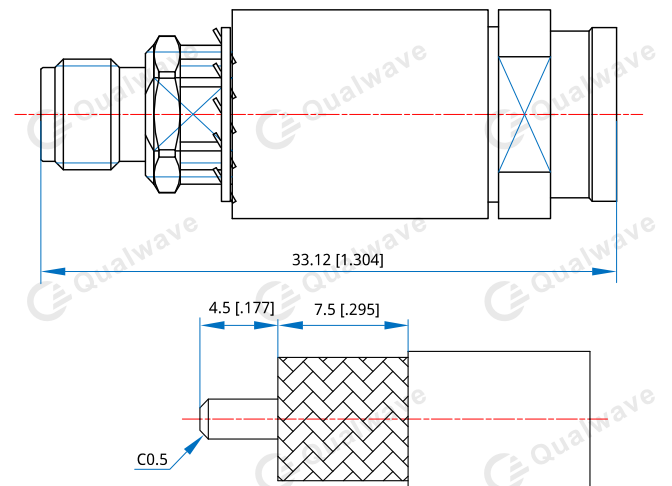
RF Connector: SMA female
Mating Cable: QA800
Outer Conductor: Passivated stainless steel
Inner Conductor: Gold plated beryllium copper

How To Order

QCS-FHG-A800-1

Customization is available upon request.

Outline Drawings



Unit: mm [in]
Tolerance: ± 0.5 mm [± 0.02 in]