

QCS-FL4B-047-1

SMA Female, 4-Hole Flange Mount

Features:
* Low VSWR

Applications:
* Wireless
* Radar
* Instruments
* Electronics

Electrical

Frequency:	DC~18GHz
VSWR:	1.2 max.
Impedance of Dielectric:	5000MΩ min.
Voltage Withstand:	500V DC
Impedance:	50Ω

Mechanical

RF Connector:	SMA Female
Mating Cable:	QA150, QH160, QD047, QE047
Mating Life Cycle:	500 cycles
Outer Conductor:	Gold plated brass
Dielectric:	PTFE
Inner Conductor:	Gold plated beryllium copper

Environmental

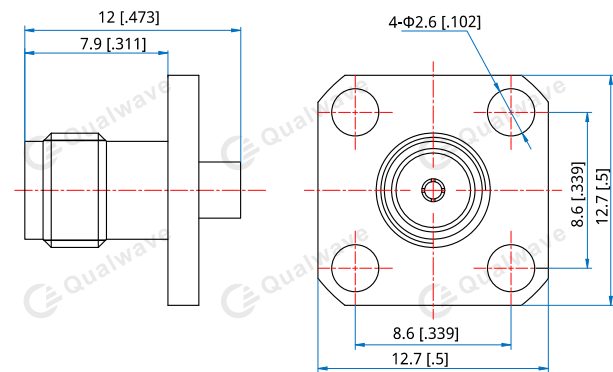
Temperature:	-55~+125°C
--------------	------------

How To Order

QCS-FL4B-047-1

Customization is available upon request.

Outline Drawings



Unit: mm [in]

Tolerance: ±0.2mm [±0.008in]