

## QCS-FRG-A800-1

### SMA Female Right Angle

Features:  
\* Low VSWR

Applications:  
\* Wireless  
\* Radar  
\* Instruments  
\* Electronics

#### Electrical

Frequency: DC~18GHz  
VSWR: 1.35 max.  
Impedance: 50Ω

#### Mechanical

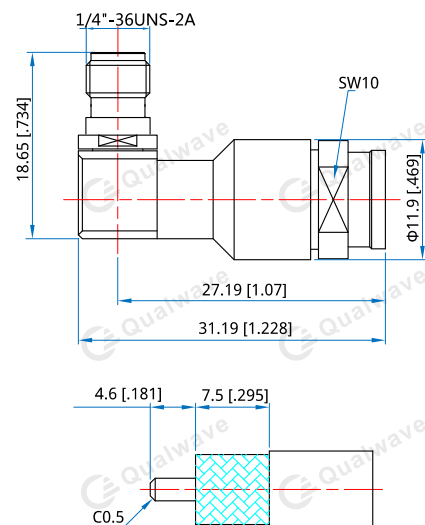
RF Connector: SMA female right angle  
Mating Cable: QA800  
Outer Conductor: Passivated stainless steel  
Inner Conductor: Gold plated brass or gold plated beryllium copper

#### How To Order

**QCS-FRG-A800-1**

Customization is available upon request.

#### Outline Drawings



Unit: mm [in]

Tolerance: ±0.5mm [±0.02in]