

QCS-FRHCB-086-1

SMA Female Right Angle, Bulk Head, Crimp

Features:
* Low VSWR

Applications:
* Wireless
* Radar
* Instruments
* Electronics

Electrical

Frequency: DC~3GHz
VSWR: 1.25 max.
Impedance of Dielectric: 5000MΩ min.
Voltage Withstand: 500V DC
Impedance: 50Ω

Mechanical

RF Connector: SMA female right angle, bulk head, crimp
Mating Cable: QH280, QE086, QD086, RG316, RG174
Mating Life Cycle: 500 cycles
Outer Conductor: Gold plated brass
Dielectric: PTFE
Inner Conductor: Gold plated beryllium copper

Environmental

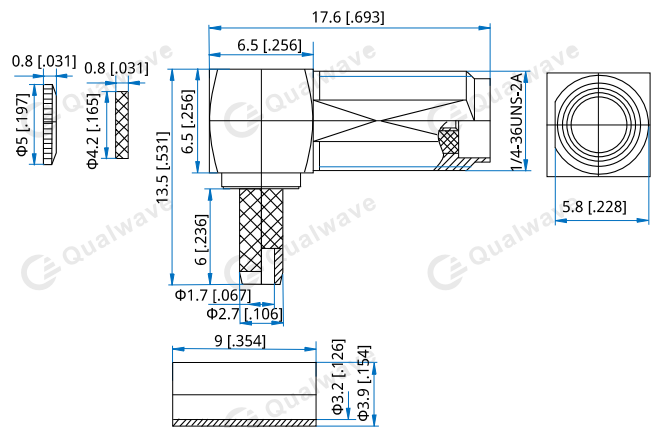
Temperature: -55~+125°C

How To Order

QCS-FRHCB-086-1

Customization is available upon request.

Outline Drawings



Unit: mm [in]

Tolerance: ±0.2mm [±0.008in]