

QCS-MRG-Z360-1

SMA Male, Right Angle

Features:
* Low VSWR

Applications:
* Wireless
* Radar
* Instruments
* Electronics

Electrical

Frequency:	DC~18GHz
VSWR:	1.35 max.
Impedance of Dielectric:	5000MΩ min.
Voltage Withstand:	1000V DC min

Mechanical

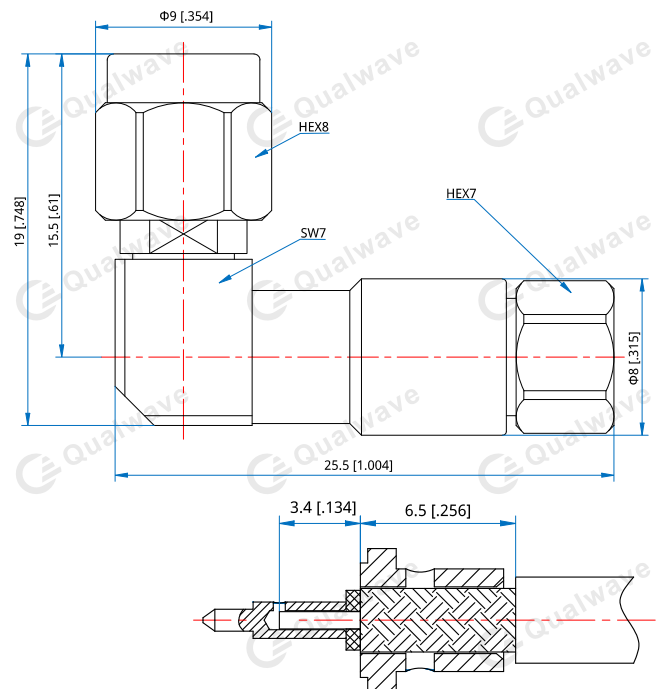
RF Connector:	SMA Male, Right Angle
Mating Cable:	QZ360
Outer Conductor:	Passivated Stainless Steel
Dielectric:	PTFE
Inner Conductor:	Gold plated brass

How To Orderf

QCS-MRG-Z360-1

Customization is available upon request.

Outline Drawings



Unit: mm [in]

Tolerance: ±0.5mm [±0.02in]