

QCS-MRG-Z800-1

SMA Male Right Angle

Features:
* Low VSWR

Applications:
* Wireless
* Radar
* Instruments
* Electronics

Electrical

Frequency: DC~18GHz
VSWR: 1.35 max.

Mechanical

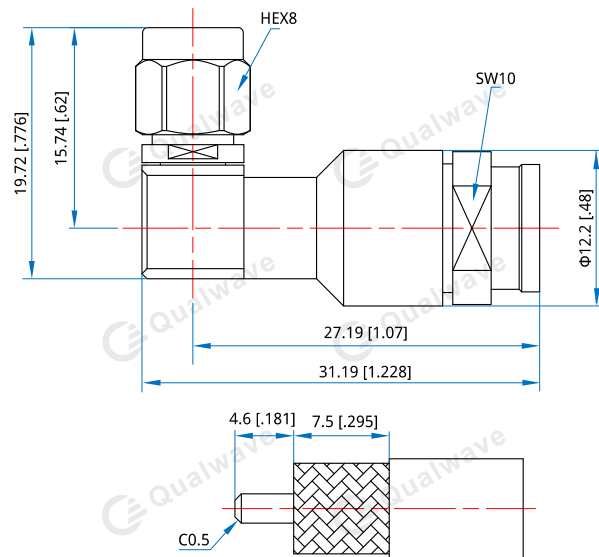
RF Connector: SMA male right angle
Mating Cable: QZ800
Outer Conductor: Passivated stainless steel
Inner Conductor: Gold plated brass/Gold plated beryllium copper

How To Order

QCS-MRG-Z800-1

Customization is available upon request.

Outline Drawings



Unit: mm [in]

Tolerance: $\pm 0.5\text{mm}$ [$\pm 0.02\text{in}$]