

# QCT-FG-A500-1

## TNC Female

Features:  
\* Low VSWR

Applications:  
\* Wireless  
\* Radar  
\* Instruments  
\* Electronics

### Electrical

Frequency: DC~18GHz  
VSWR: 1.35 max.

### Mechanical

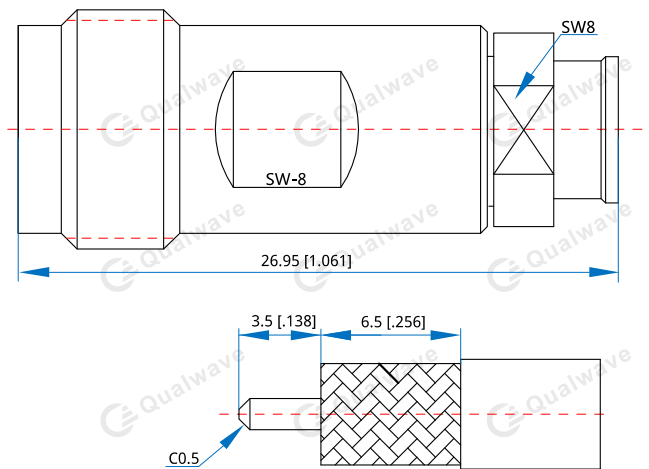
RF Connector: TNC female  
Mating Cable: QA500, QA480, CXN3449  
Outer Conductor: Passivated Stainless Steel  
Inner Conductor: Gold plated beryllium copper

### How To Order

**QCT-FG-A500-1**

Customization is available upon request.

### Outline Drawings



Unit: mm [in]

Tolerance:  $\pm 0.2$ mm [ $\pm 0.008$ in]