

QA7Y

7/16 DIN to HN

Features:
* Low VSWR

Applications:
* Wireless
* Transmitter
* Laboratory Test
* Radar

Specifications

Model	Frequency (GHz)	VSWR (max.)	Voltage Withstand (V)	Impedance of Dielectric (mΩ min.)	Impedance (Ω)	Outer Conductor	Dielectric	Inner Conductor	Outline Drawings
QA7Y-MM	DC~4	1.2	3500 @50Hz	5000	50	Nickel plated brass	PTFE	Silver plated brass	Outline A
QA7Y-MF	DC~4	1.2	3500 @50Hz	5000	50	Nickel plated brass	PTFE	Silver plated brass	Outline B
QA7Y-FM	DC~4	1.2	3500 @50Hz	5000	50	Nickel plated brass	PTFE	Silver plated brass	Outline C
QA7Y-FF	DC~4	1.2	3500 @50Hz	5000	50	Nickel plated brass	PTFE	Silver plated brass	Outline D

Mechanical

RF Connectors: 7/16 DIN
HN
Mating Life Cycle: 500 cycles

Environmental

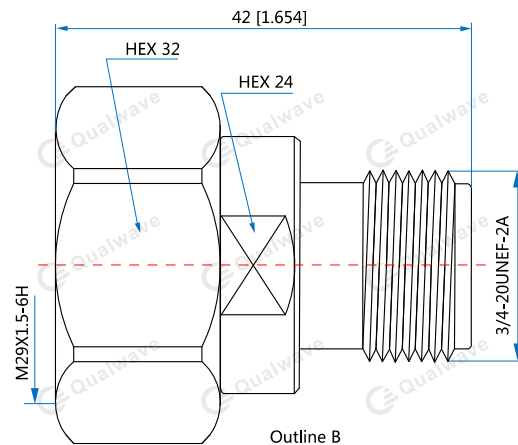
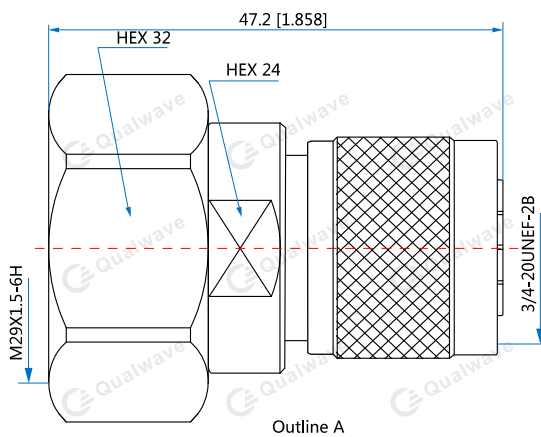
Temperature -45~+125°C

How To Order

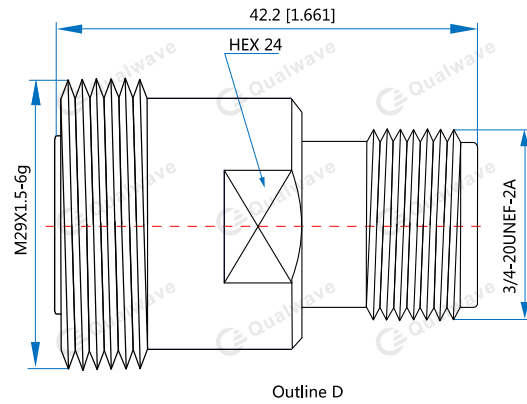
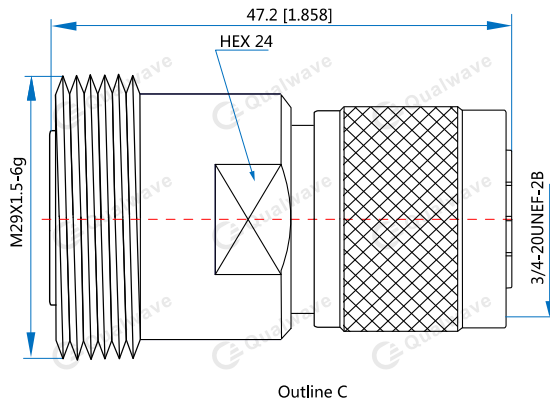
QA7Y-MM - 7/16 DIN(m) to HN (m), Outline A
QA7Y-MF - 7/16 DIN(m) to HN (f), Outline B
QA7Y-FM - 7/16 DIN(f) to HN (m), Outline C
QA7Y-FF - 7/16 DIN(f) to HN (f), Outline D

Customization is available upon request.

Outline Drawings



Coaxial Adapter



Unit: mm [in]

Tolerance: $\pm 0.2\text{mm}$ [$\pm 0.008\text{in}$]