

QA88

0.8mm to 0.8mm

Features:
* Low VSWR

Applications:
* Wireless
* Transmitter
* Laboratory Test
* Radar

Electrical

Frequency: DC~145GHz
VSWR: 1.6 max.
Impedance: 50Ω

Mechanical

RF Connectors: 0.8mm
Outer Conductor: Stainless steel
Dielectric: PEI
Inner Conductor: Beryllium copper

How To Order

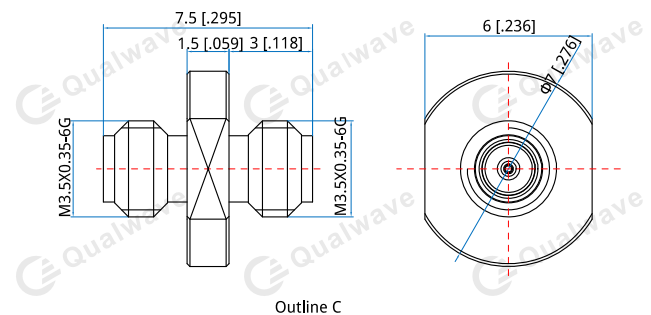
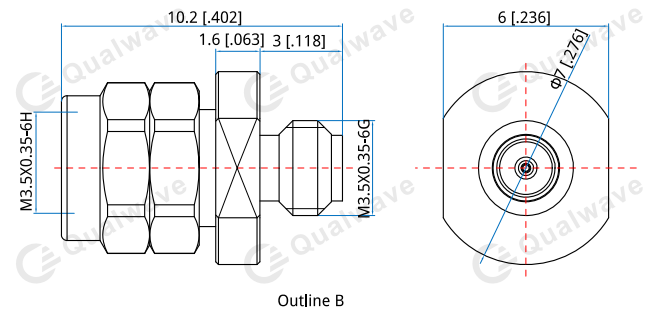
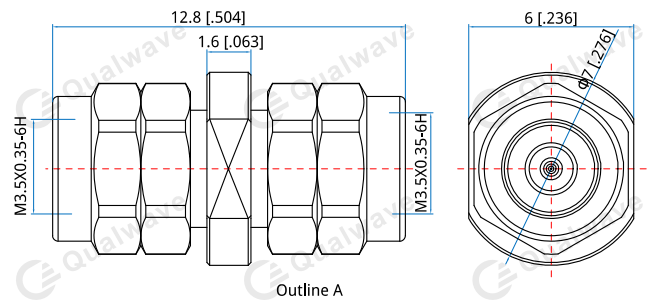
QA88-MM - 0.8mm (m) to 0.8mm (m), Outline A

QA88-MF - 0.8mm (m) to 0.8mm (f), Outline B

QA88-FF - 0.8mm (f) to 0.8mm (f), Outline C

Customization is available upon request.

Outline Drawings



Unit: mm [in]
Tolerance: ±0.2mm [±0.008in]