

QA9Z

7/8" (IF45) to UHF (SL16)

Features:
* Low VSWR

Applications:
* Wireless
* Transmitter
* Laboratory Test
* Radar

Electrical

| | |
|----------------------------------|-------------------------------------|
| Frequency: | DC~3GHz |
| VSWR: | 1.07@DC~1000MHz max. |
| Dielectric Withstanding Voltage: | 6000V RMS, 50Hz, at sea level, min. |
| Impedance of Dielectric: | 5000MΩ min. |
| Average Power: | 2.3KW@900MHz |
| Peak Power: | 10KW max. |
| Impedance: | 50Ω |

Mechanical

| | |
|--------------------|---------------------------|
| RF Connectors: | 7/8" (IF45) UHF (SL16) |
| Mating Life Cycle: | 100 cycles min. |
| ROHS Compliant: | Full ROHS compliance |
| Outer Conductor: | Nickel plated brass |
| Dielectric: | PTFE |
| Inner Conductor: | Silver plated brass |
| Waterproof: | With O-Ring |

Environmental

| | |
|--------------|-----------|
| Temperature: | -55~+85°C |
|--------------|-----------|

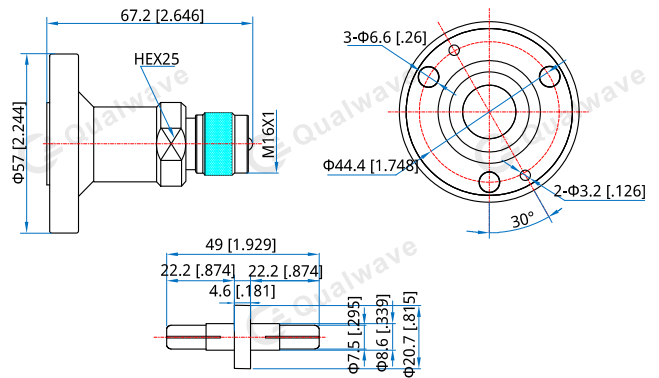
How To Order

QA9Z-M - 7/8" (IF45) to UHF (SL16) (m), Outline A

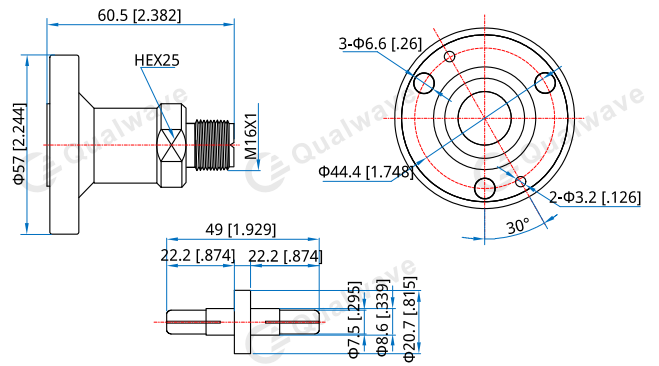
QA9Z-F - 7/8" (IF45) to UHF (SL16) (f), Outline B

Customization is available upon request.

Outline Drawings



Outline A



Outline B

Unit: mm [in]
Tolerance: ±0.2mm [±0.008in]