

QAA6Y

3-1/8" (IF110) to HN

Features:
* Low VSWR

Applications:
* Wireless
* Transmitter
* Laboratory Test
* Radar

Electrical

Frequency:	DC~3GHz
VSWR:	1.07@DC~1000MHz max. 1.15@1000~2500MHz max.
Dielectric Withstanding Voltage:	6000V RMS, 50Hz, at sea level, min.
Impedance of Dielectric:	5000MΩ min.
Impedance of Contact (Center):	1.5mΩ max.
Impedance of Contact (Outer):	1.5mΩ max.
Average Power:	2.3KW@900MHz
Peak Power:	20KW max.
Impedance:	50Ω

Mechanical

RF Connectors:	3-1/8" (IF110) HN
Mating Life Cycle:	100 cycles min.
ROHS Compliant:	Full ROHS compliance
Outer Conductor:	Nickel plated brass
Dielectric:	PTFE
Inner Conductor:	Silver plated brass
Waterproof:	With O-Ring

Environmental

Temperature: -55~+85°C

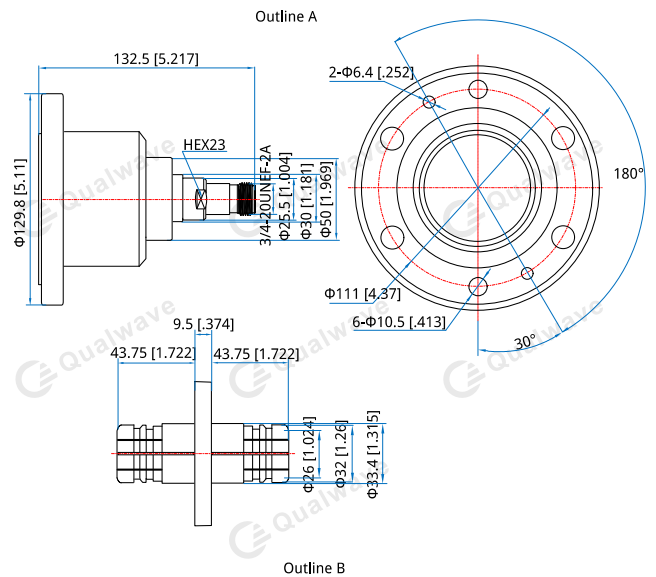
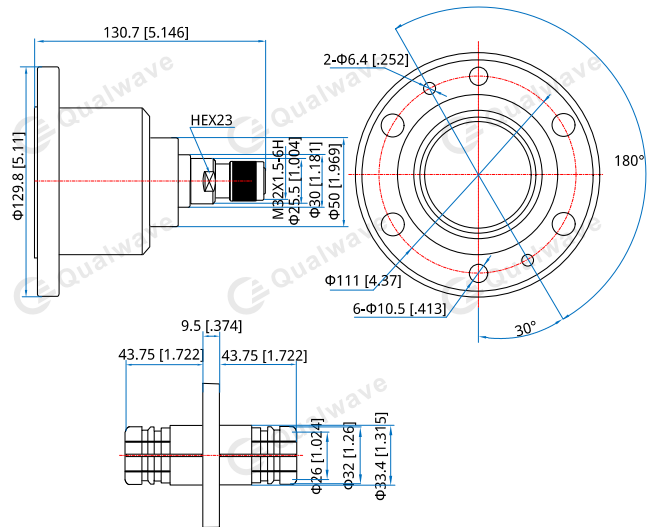
How To Order

QAA6Y-M - 1-5/8" (IF110) to HN (m), Outline A

QAA6Y-F - 1-5/8" (IF110) to HN (f), Outline B

Customization is available upon request.

Outline Drawings



Unit: mm [in]
Tolerance: ±0.2mm [±0.008in]