

## QAMB MCX to BNC

Features:  
\* Low VSWR

Applications:  
\* Wireless  
\* Transmitter  
\* Laboratory Test  
\* Radar

### Electrical

Frequency:	DC~4GHz
VSWR:	1.3
Dielectric Withstanding Voltage:	750V RMS, 50Hz, at sea level, min.
Impedance of Dielectric:	5000MΩ min.
Impedance of Contact (Center):	1.5mΩ max. (BNC) 5mΩ max. (MCX)
Impedance of Contact (Outer):	0.2mΩ max. (BNC) 2.5mΩ max. (MCX)
Impedance:	50Ω

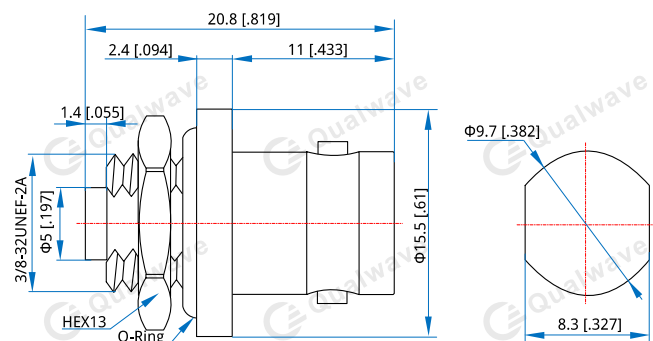
### Mechanical

RF Connectors:	MCX BNC
Mating Life Cycle:	500 cycles min.
ROHS Compliant:	Full ROHS compliance
Outer Conductor:	Nickel plated brass
Dielectric:	PTFE
Inner Conductor:	Gold plated brass

### Environmental

Temperature:	-45~+125°C
--------------	------------

### Outline Drawings



Outline A

Unit: mm [in]

Tolerance: ±0.2mm [±0.008in]

### How To Order

**QAMBH-FF** - MCX (f) to BNC (f) bulk head, Outline A

Customization is available upon request.