

QANY

N to HN

Features:
* Low VSWR

Applications:
* Wireless
* Transmitter
* Laboratory Test
* Radar

Specifications

Model	Frequency (GHz)	VSWR (max.)	Voltage Withstand (V)	Impedance of Dielectric (mΩ min.)	Impedance (Ω)	Outer Conductor	Dielectric	Inner Conductor	Outline Drawings
QANY-MM	DC~4	-	3500 @50Hz	5000	50	Nickel plated brass	PTFE	Silver plated brass	Outline A
QANY-FM	DC~4	-	3500 @50Hz	5000	50	Nickel plated brass	PTFE	Silver plated brass	Outline B

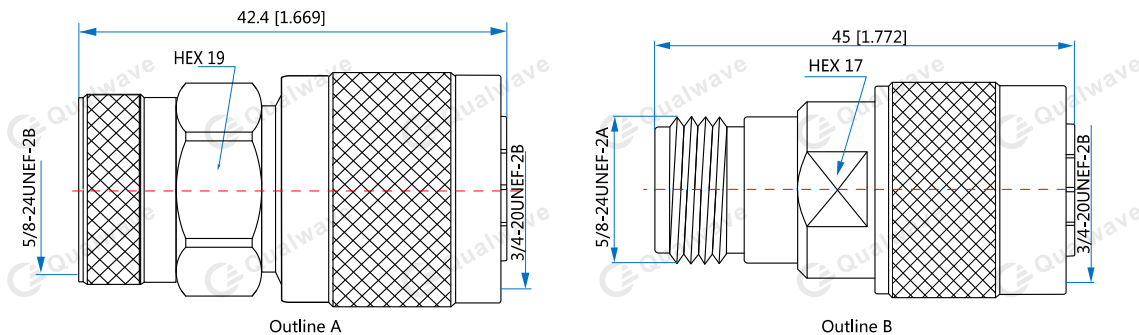
Mechanical

RF Connectors: N
HN
Mating Life Cycle: 500 cycles

Environmental

Temperature -45~+125°C

Outline Drawings



Unit: mm [in]

Tolerance: ±0.2mm [±0.008in]

How To Order

QANY-MM - N(m) to HN (m), Outline A

QANY-FM - N(f) to HN (m), Outline B

Customization is available upon request.