

QCC5050X

High Power, High Isolation

Features:
 * High Power
 * High Isolation
 * Low Insertion Loss
 * Low VSWR

Applications:
 * Wireless
 * Radar
 * Laboratory Test

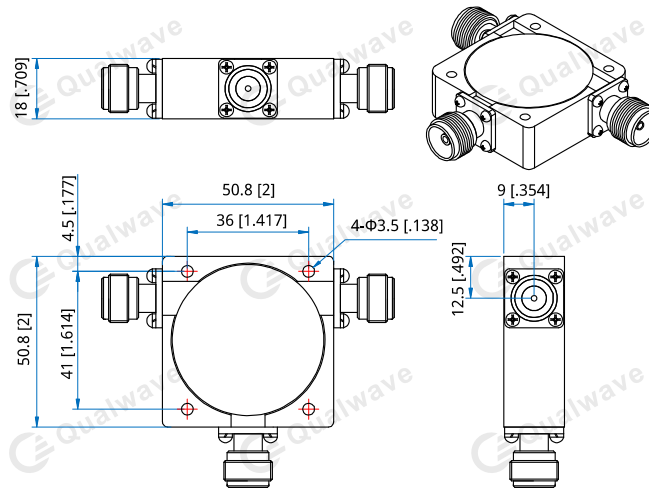
Description

QCC5050X series Coaxial Circulators cover frequency range 0.25~0.265GHz. High power, high isolation and low insertion loss make it ideal for a lot of applications like amplifiers, transceivers, etc.

Specifications

Frequency (MHz)	Bandwidth (MHz)	IL (dB Max.)	Isolation (dB Min.)	VSWR (Max.)	Average Power (W)	Connector	Temperature (°C)
250~265	15	0.50	20.0	1.25	250	N	-30~+75

Outline Drawings



Unit: mm [inch] Tolerance: ±0.2mm [±0.008in]

Mechanical

Size*1: 50.8*50.8*18mm
 2*2*0.709in

Mounting: 4-Φ3.5mm through-hole

[1] Exclude connectors

Connector Naming Rules:

N - N Female

Direction Naming Rules:

1 - Clockwise
 2 - Anticlockwise

How To Order

QCC5050X-V-W-X-Y-Z

V: Start frequency in MHz

W: Stop frequency in MHz

X: Average power in W

Y: Connector type

Z: Direction type

Examples:

To order a QCC5050X series Circulator, 250~265MHz, 250W, N female, Clockwise, specify QCC5050X-250-265-K25-N-1.

Customization is available upon request.