

QCC8080E

High Power, High Isolation

Features:
 * High Power
 * High Isolation
 * Low Insertion Loss
 * Low VSWR

Applications:
 * Wireless
 * Radar
 * Laboratory Test

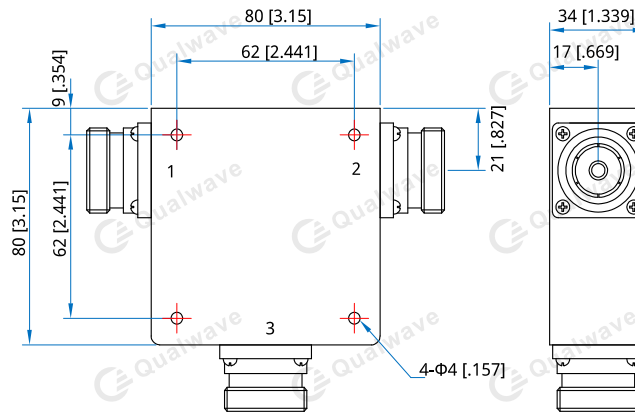
Description

QCC8080E series Coaxial Circulators cover frequency range 150~890MHz. High power, high isolation and low insertion loss make it ideal for a lot of applications like amplifiers, transceivers, etc.

Specifications

Frequency (MHz)	Bandwidth (MHz)	IL (dB Max.)	Isolation (dB Min.)	VSWR (Max.)	Average Power (W)	Connector	Temperature (°C)
150~180	30	0.60	19.0	1.25	100~1000	7/16 DIN	-30~+75
160~190	30	0.50	20.0	1.25	100~1000	7/16 DIN	-30~+75
810~890	80	0.50	25.0	1.25	100~1000	7/16 DIN	-30~+75

Outline Drawings



Unit: mm [inch] Tolerance: ±0.2mm [±0.008in]

Mechanical

Size*1: 80*80*34mm
 3.15*3.15*1.339in
 Mounting: 4-Φ4mm through-hole

[1] Exclude connectors

Connector Naming Rules:

7 - 7/16 DIN Female

Direction Naming Rules:

1 - Clockwise
 2 - Anticlockwise

How To Order

QCC8080E-V-W-X-Y-Z

V: Start frequency in MHz
 W: Stop frequency in MHz
 X: Average power in W
 Y: Connector type
 Z: Direction type

Examples:

To order a QCC8080E series Circulator, 160~190MHz, 1000W, 7/16 DIN female, Clockwise, specify QCC8080E-160-190-1K-7-1.

Customization is available upon request.