

QCT041K

DC~4GHz, 1000W

Features:
 * Low VSWR
 * Broadband

Applications:
 * Wireless
 * Transmitter
 * Laboratory Test
 * Radar

Electrical

Frequency Range: DC~4GHz
 Average Power*1: 1000W
 Impedance: 50Ω
 Peak Power: 10KW (5μS pulse width, 10% duty cycle)

[1] Derated linearly to 100W@125°C.

VSWR

| Frequency (GHz) | VSWR (max.) |
|-----------------|-------------|
| DC~1 | 1.2 |
| DC~2 | 1.25 |
| DC~3 | 1.4 |
| DC~4 | 1.5 |

Mechanical

Size: 425*410*160mm
 16.732*16.142*6.299in
 Weight: 20Kg
 Housing: Aluminum
 Outer Conductor: Nickel plated brass
 Male Inner Conductor: Gold plated brass
 Female Inner Conductor: Gold plated beryllium copper
 Cooling: Air cooling

How To Order

QCT041K-X-Y

X: Frequency in GHz

Y: Connector type

Connector naming rules:

NF - N Female

N - N Male

7F - 7/16 DIN Female

7 - 7/16 DIN Male

Examples:

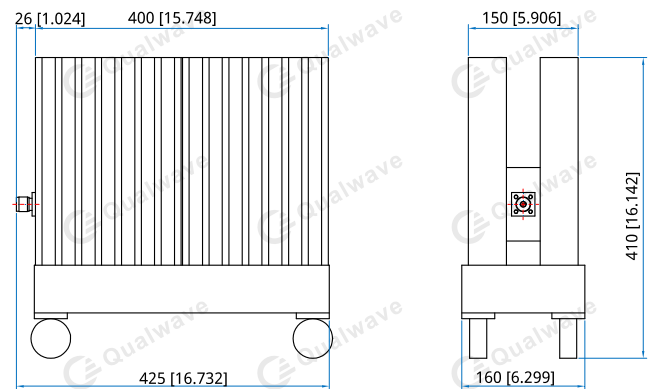
To order an termination, DC~4GHz, 7/16 DIN female, specify QCT041K-4-7F.

Customization is available upon request.

Environmental

Temperature: -55~+125°C

Outline Drawings



Unit: mm [in]

Tolerance: ±3%