

# QCT041K5

## DC~4GHz, 1500W

Features:  
 \* Low VSWR  
 \* Broadband

Applications:  
 \* Transmitters  
 \* Antennas  
 \* Laboratory Test  
 \* Impedance Matching

### Electrical

Frequency Range:	DC~4GHz
Average Power <sup>*1</sup> :	1500W@25°C
VSWR:	1.2max.@DC~2GHz 1.4 max.@DC~3GHz 1.75 max.@DC~4GHz
Impedance:	50Ω
Peak Power:	10KW (5μS pulse width, 10% duty cycle)

[1] Derated linearly to 150W@125°C.

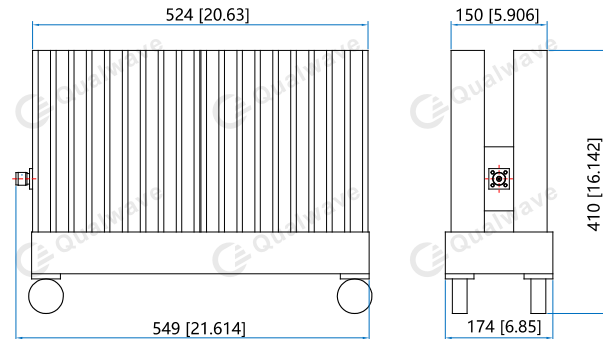
### Mechanical

Size:	549*174*410mm 21.614*6.85*16.142in
Weight	32Kg
Connector:	N, 7/16 DIN
Hosing:	Aluminum
Outer Conductor:	Nickel plated brass
Male Inner Conductor:	Gold plated brass
Female Inner Conductor:	Gold Plated Beryllium Copper

### Environmental

Temperature:	-40~+45°C
--------------	-----------

### Outline Drawings



Unit: mm [in]  
 Tolerance: ±3mm [±0.118in]

### How To Order

**QCT041K5-X-Y**

X: Frequency in GHz

Y: Connector type

Connector naming rules:

N - N male

7 -7/16 DIN male

Examples:

To order a termination, DC-4GHz, N male, specify QCT041K5-4-N.

Customization is available upon request.