

QCT08K8

DC~8GHz, 800W

Features:
 * Low VSWR
 * Broadband

Applications:
 * Wireless
 * Transmitter
 * Laboratory Test
 * Radar

Electrical

Frequency Range:	DC~8GHz
Average Power*1:	800W
Impedance:	50Ω
Peak Power:	5KW (5μS pulse width, 10% duty cycle)

[1] Derated linearly to 80W@125°C.

VSWR

Frequency (GHz)	VSWR (max.)
DC~4	1.2
DC~6	1.35
DC~8	1.45

Mechanical

Size:	653*416*200mm 25.709*16.378*7.874in
Weight:	25.2Kg
Housing:	Aluminum
Outer Conductor:	Nickel plated brass
Male Inner Conductor:	Gold plated brass
Female Inner Conductor:	Gold plated beryllium copper

How To Order

QCT08K8-X-Y

X: Frequency in GHz
 Y: Connector type

Connector naming rules:

NF - N Female

N - N Male

7F - 7/16 DIN Female

7 - 7/16 DIN Male

Examples:

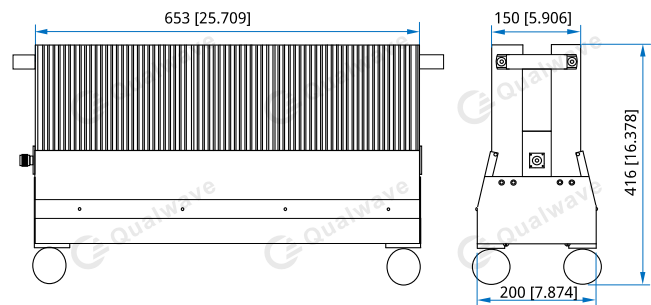
To order an termination, DC~8GHz, 7/16 DIN female, specify QCT08K8-8-7F.

Customization is available upon request.

Environmental

Temperature: -55~+125°C

Outline Drawings



Unit: mm [in]
 Tolerance: ±3%