

# QCCC-4000-8000-04-S

## 4~8GHz, 4K, SMA Female

**Features:**

- \* High Isolation
- \* Low Insertion Loss

**Applications:**

- \* Wireless
- \* Radar
- \* Laboratory Test
- \* Quantum Computing

**Electrical**

Frequency:	4~8GHz
Insertion Loss:	0.2dB
VSWR:	1.3
Isolation:	20dB
Impedance:	50Ω

**Mechanical**

Size <sup>*1</sup> :	24.2*25.5*13.7mm 0.953*1.004*0.539in
RF Connectors:	SMA female
Cavity:	Gold plated OFC
Shielding Layer:	Nickel plated
Weight:	75g
Mounting:	4-M2mm

[1] Exclude connectors.

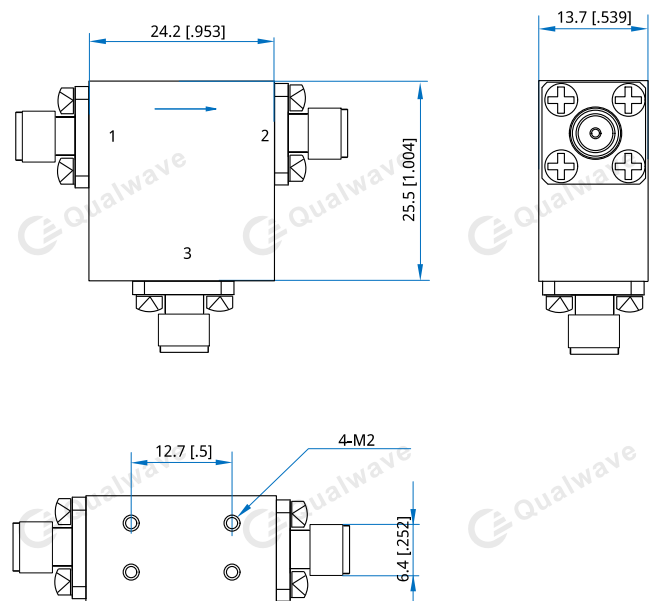
**Environmental**

Operating Temperature:	4K (-269.15°C)
Non-operating Temperature:	-55~+85°C

**How To Order**

**QCCC-4000-8000-04-S**

Customization is available upon request.

**Outline Drawings**


Unit: mm [inch]

Tolerance: .x±1mm [±0.039in]