

QCDCC-4000-8000-04-S

4~8GHz, 4K, SMA Female

Features:

- * High Isolation
- * Low Insertion Loss

Applications:

- * Wireless
- * Radar
- * Laboratory Test
- * Quantum Computing

Electrical

Frequency:	4~8GHz
Insertion Loss:	0.4dB
VSWR:	1.3
Isolation:	40dB
Impedance:	50Ω

Mechanical

Size:	66*35*13.7mm 2.598*1.378*0.539in
RF Connectors:	SMA female
Cavity:	Gold plated OFC
Shielding Layer:	Nickel plated
Weight:	150g

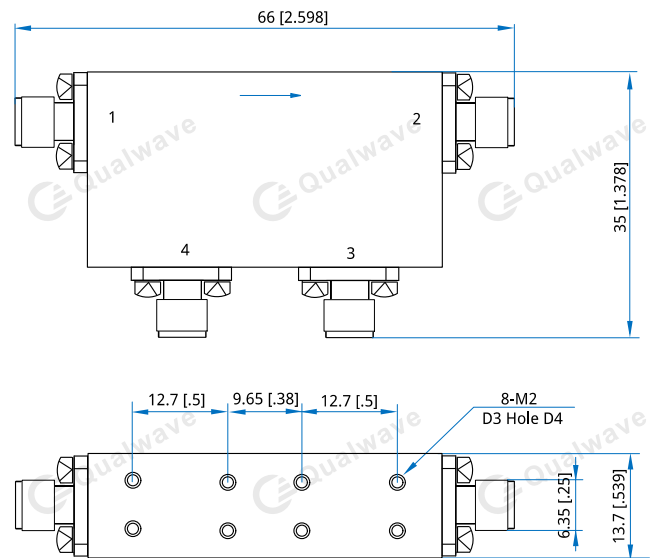
Environmental

Operating Temperature:	4K (-269.15°C)
Non-operating Temperature:	-55~+85°C

How To Order

QCDCC-4000-8000-04-S

Customization is available upon request.

Outline Drawings


Unit: mm [inch]

Tolerance: .x±1mm [±0.039in]