

QD-10-67000-P-VS

0.01~67GHz

Features:
 * Broadband
 * High Sensitivity

Applications:
 * Telecom
 * Instrumentation
 * Laboratory Test
 * Radar

Electrical

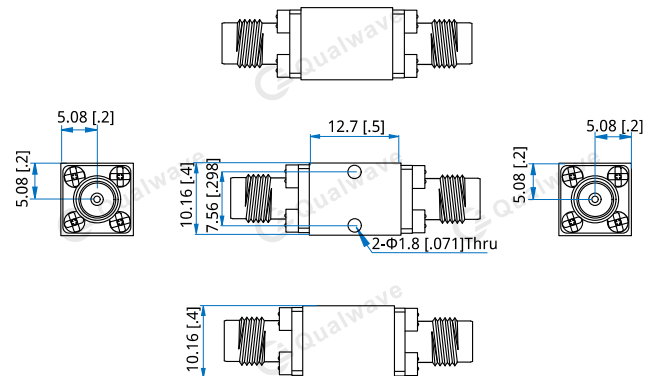
Frequency Range:	0.01~67GHz
Sensitivity:	600V/W typ.
VSWR:	1.7 typ.
Input Power:	+10dBm typ.
Input Dynamic Range:	-20dBm min.
Polarity:	Positive
Impedance:	50Ω

Mechanical

Size ^{*1} :	12.7*10.16*10.16mm 0.5*0.4*0.4in
Input Connector:	1.85mm Female
Output Connector:	SMA Female

[1] Exclude connectors.

Outline Drawings



Unit: mm [in]

Tolerance: ±0.2mm [±0.008in]

How To Order

QD-10-67000-P-VS

Customization is available upon request.