

QWD-3

WR-3, 220~325GHz

Features:
 * Broadband
 * High Sensitivity

Applications:
 * Telecom
 * Instrumentation
 * Laboratory Test
 * Radar

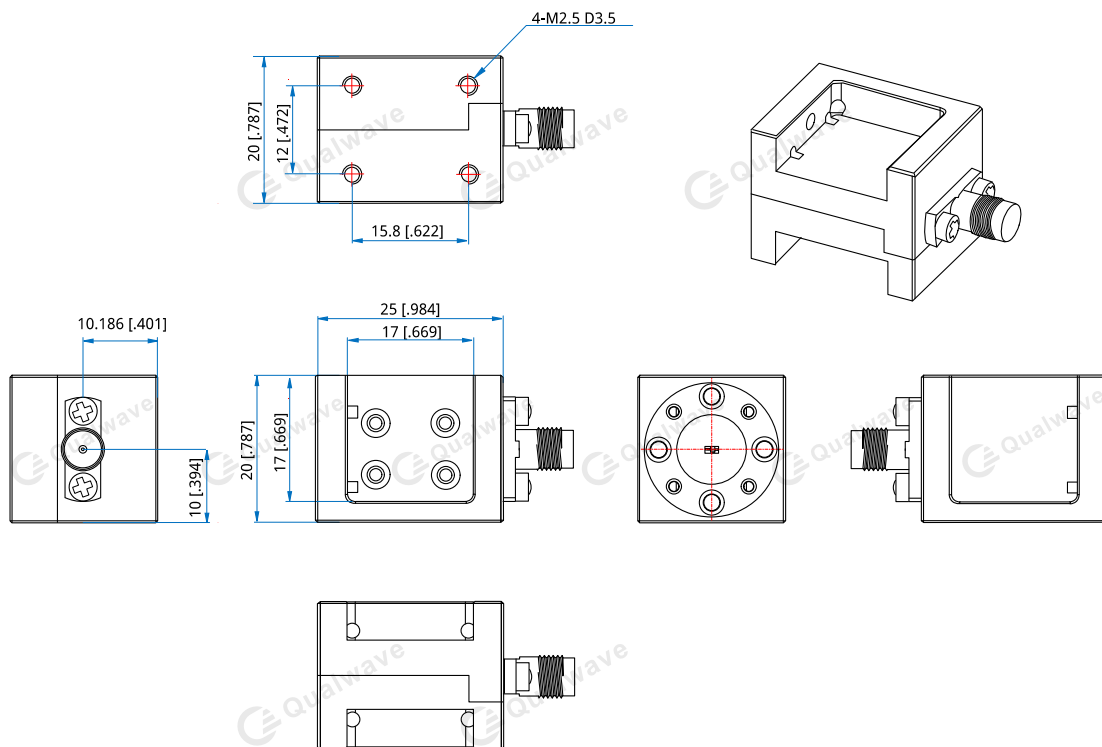
Electrical

Frequency Range:	220~325GHz
Sensitivity:	2000V/W typ.
VSWR:	4 typ.
Polarity:	Positive
Input Power Without Damage:	+10dBm typ.
Input Dynamic Range:	-20dBm min.
Impedance:	50Ω

Mechanical

Size:	25*20*20mm 0.984*0.787*0.787in
Input Connector:	WR-3 (BJ2600)
Output Connector:	SMA Female

Outline Drawings



Unit: mm [in]
 Tolerance: ±0.2mm [±0.008in]

How To Order

QWD-3

Customization is available upon request.