

QWD-6

WR-6, 110~170GHz

Features:
 * Broadband
 * High Sensitivity

Applications:
 * Telecom
 * Instrumentation
 * Laboratory Test
 * Radar

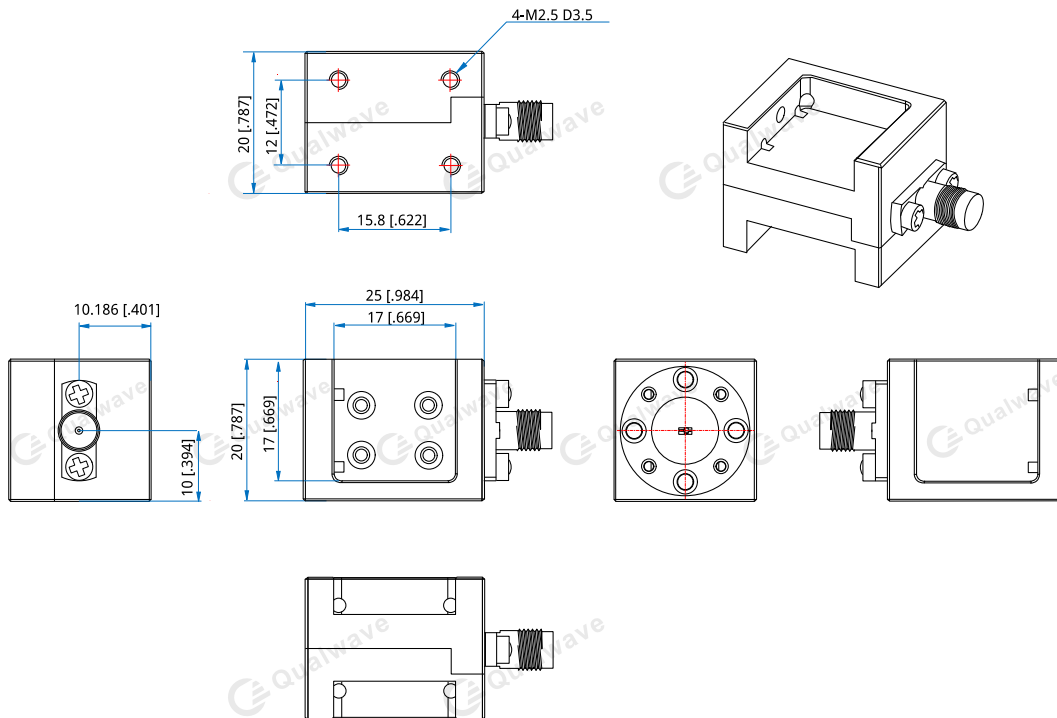
Electrical

Frequency Range: 110~170GHz
 Sensitivity: 2500V/W typ.
 VSWR: 2 typ.
 Polarity: Positive
 Input Power Without Damage: +10dBm typ.
 Input Dynamic Range: -20dBm min.
 Impedance: 50Ω

Mechanical

Size: 25*20*20mm
 0.984*0.787*0.787in
 Input Connector: WR-6
 Output Connector: SMA Female

Outline Drawings



Unit: mm [in]
 Tolerance: ±0.2mm [±0.008in]

How To Order

QWD-6

Customization is available upon request.