

QDA-10-18000-63.75-0.25

0.01~18GHz, 63.75dB, 0.25dB

Features:
 * Broadband
 * High Dynamic Range

Applications:
 * Wireless
 * Transmitter
 * Laboratory Test
 * Radar

Electrical

Frequency:	0.01~18GHz
Insertion Loss:	7.5dB max.
Attenuation Flatness:	±0.4dB typ. @1~10dB ±0.8dB typ. @10.25~30dB ±1.5dB typ. @30.25~63dB
Step:	0.25dB
Attenuation Range:	0~63.75dB
Attenuation Accuracy:	±0.4dB typ. @1~10dB ±0.8dB typ. @10.25~30dB ±1.5dB typ. @30.25~63dB
Switching Time:	20ns typ.
VSWR:	2 max.
Voltage/Current:	-5V @15mA typ.
Input Power:	+25dBm max.

Mechanical

Size ^{*1} :	32*20*12.7mm 1.26*0.787*0.5in
RF Connectors:	SMA Female
Power Supply & Control Interface Connectors:	MicroD15-Female
Mounting:	4-Φ2.7mm through-hole
Logic Input:	On: 1(+3~+5V) Off: 0(0~+0.5V)

[1] Exclude connectors.

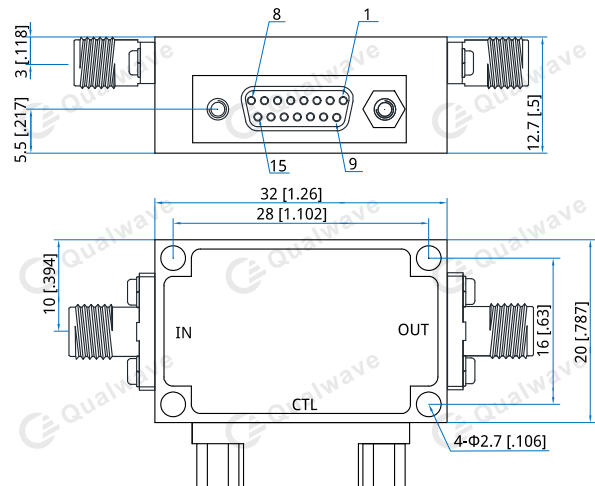
Pin Numbering

Pin	Function	Pin	Function
1	-5V	7	C4:-2dB
2	GND	8	C5:-4dB
3	NC	9	C6:-8dB
4	C1:-0.25dB	10	C7:-16dB
5	C2:-0.5dB	11	C8:-32dB
6	C3:-1dB	12~15	NC

Environmental

Operating Temperature:	-45~+85°C
Non-operating Temperature:	-55~+125°C

Outline Drawings



Unit: mm [in]
 Tolerance: ±0.2mm [±0.008in]

Logic Table

State	C1	C2	C3	C4	C5	C6	C7	C8	Attenuation State
-	0	0	0	0	0	0	0	0	Reference IL
1	1	0	0	0	0	0	0	0	-0.25dB
2	0	1	0	0	0	0	0	0	-0.5dB
3	0	0	1	0	0	0	0	0	-1dB
4	0	0	0	1	0	0	0	0	-2dB
5	0	0	0	0	1	0	0	0	-4dB
6	0	0	0	0	0	1	0	0	-8dB
7	0	0	0	0	0	0	1	0	-16dB
8	0	0	0	0	0	0	0	1	-32dB
9	1	1	1	1	1	1	1	1	-63.75dB

How To Order

QDA-10-18000-63.75-0.25

Customization is available upon request.