

QDI1318X

High Power, High Isolation

Features:

- * High Power
- * High Isolation
- * Low Insertion Loss
- * Low VSWR

Applications:

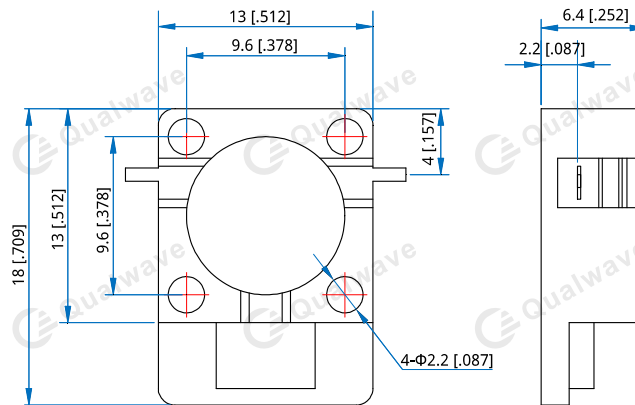
- * Wireless
- * Radar
- * Laboratory Test

Description

QDI1318X series Drop-In Isolators cover frequency range 10500~11000MHz. High power, high isolation and low insertion loss make it ideal for a lot of applications like amplifiers, transceivers, etc.

Specifications

Frequency (MHz)	Bandwidth (MHz)	Insertion Loss (dB Max.)	Isolation (dB Min.)	VSWR (Max.)	Fwd Power (W Max.)	Rev Power (W)	Temperature (°C)
10500~11000	500	0.40	20.0	1.25	100	100	-40~+85

Outline Drawings


Unit: mm [inch]

Tolerance: ±0.2mm [±0.008in]

Mechanical

Size^{*1}: 13*18*6.4mm
 0.512*0.709*0.252in

Connector Type: Strip line

Mounting: 4-Φ2.2mm through-hole

[1] Exclude connectors and terminations.

Direction Naming Rules:

- 1 - Clockwise
- 2 - Anticlockwise

How To Order
QDI1318X-V-W-X-Y-Z

V: Start frequency in MHz
 W: Stop frequency in MHz
 X: Forward Power in W
 Y: Reverse Power in W
 Z: Direction type

Examples:

To order a QDI1318X series Isolator, 10500~11000MHz, Forward power 100W, Reverse power 100W, Clockwise, specify QDI1318X-10500-11000-K1-K1-1.

Customization is available upon request.