

## QDDBC-50000-70000

### 50~70GHz

**Features:**

- \* Broadband
- \* High Power
- \* Low Insertion Loss

**Applications:**

- \* Amplifiers
- \* Transmitter
- \* Laboratory Test
- \* Radar

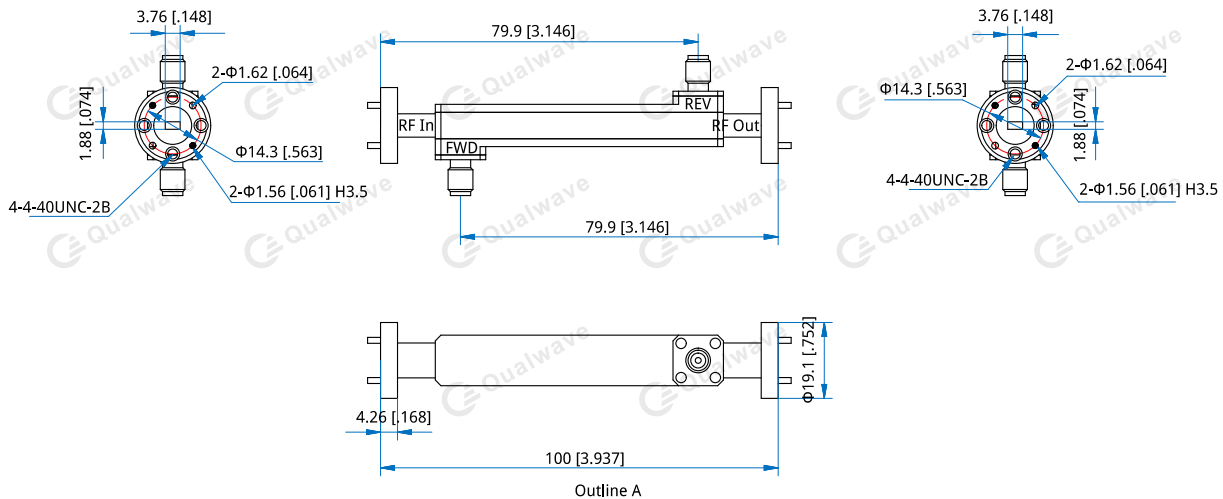
### Electrical

Frequency:	50~70GHz
Coupling:	37±1dB
VSWR (Mainline):	1.1 max.
VSWR (Coupling):	1.5 max.
Directivity:	25dB min.
Insertion loss:	0.2dB max.

### Mechanical

Interface:	WR-15 (BJ620)
Flange:	UG385/U
Connector:	1.85mm female
Material:	Copper
Finish:	Gold-plating

### Outline Drawings



Unit: mm [in]

Tolerance: ±0.2mm [±0.008in]

### How To Order

**QDDBC-50000-70000-W-X-Y-Z**

W: Coupling

X: Coupling Connector type

Y: Material

Z : Flange type

Connector naming rules:

V - 1.85mm female (Outline A)

Material naming rules:

C - Copper (Outline A)

Flange naming rules:

6 - UG385/U (Outline A)

Examples:

To order a Dual Directional Broadwall Coupler, 50~70GHz, 37±1dB, 1.85mm female, Copper, UG385/U, specify QDDBC-50000-70000-37-V-C-6.

Customization is available upon request.