

QDDC-0.009-100-3K5-50-7S-1

9KHz~100MHz, 3500W

Features:
 * Broadband
 * Low Insertion Loss

Applications:
 * Amplifiers
 * Transmitter
 * Laboratory Test
 * Radar

Electrical

Frequency:	9KHz~100MHz
Coupling:	50±1dB
Coupling Flatness:	±0.5dB max.
VSWR(Mainline):	1.2 max.
VSWR(Coupline):	1.3 max.
Insertion Loss:	0.25dB max.
Directivity:	18dB min.
Average Power:	3500W CW

Mechanical

Size ^{*1} :	203.2*55.9*55.9mm 8*2.201*2.201in
RF Connectors:	7/16 DIN Female
Coupling Connectors:	SMA Female
Mounting:	4-M3mm-6H Depth 8mm

[1] Exclude connectors.

Environmental

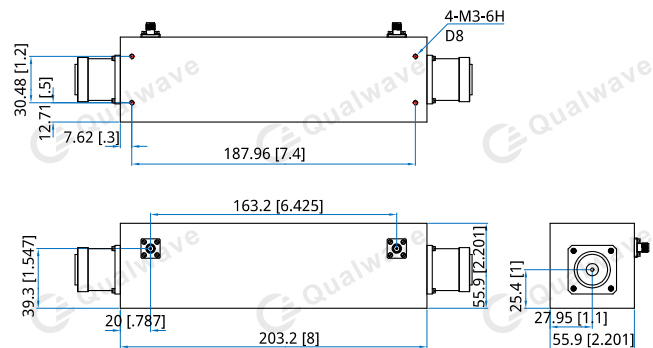
Operation Temperature:	-55~+85°C
------------------------	-----------

How To Order

QDDC-0.009-100-3K5-50-7S-1

Customization is available upon request.

Outline Drawings



Unit: mm [in]

Tolerance: ±0.2mm [±0.008in]