

QDDC-0.009-1000-K5-50-NMN

9KHz~1GHz, 500W, 50dB

Features:

* Low Insertion Loss

Applications:

- * Amplifiers
- * Transmitter
- * Laboratory Test
- * Radar

Electrical

Frequency:	9KHz~1GHz
Coupling:	50±2dB
VSWR (Mainline):	1.3 max. @RF In
Insertion Loss:	1dB max.
Directivity:	15dB min.
Power Handling:	500W

Mechanical

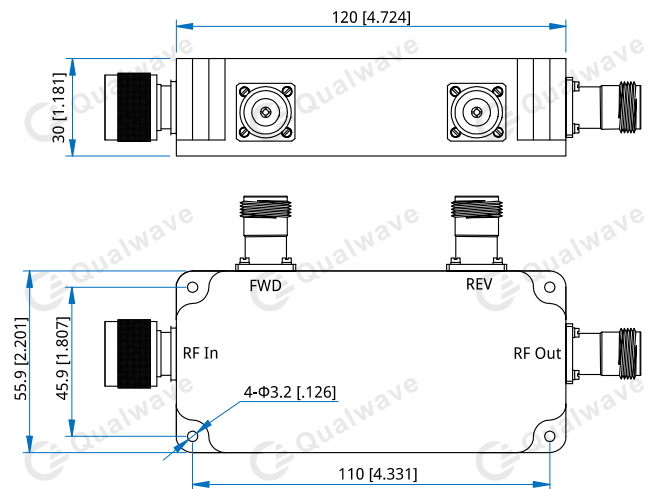
Size ^{*1} :	120*55.9*30mm 4.724*2.201*1.181in
RF Connectors:	N male, N female
Coupling Connectors:	N female
Mounting:	4-Φ3.2mm through-hole

[1] Exclude connectors

Environmental

Temperature:	-40~+85°C
--------------	-----------

Outline Drawings



Unit: mm [in]

Tolerance: ±0.3mm [±0.012in]

How To Order

[QDDC-0.009-1000-K5-50-NMN](#)

Customization is available upon request.