

QFA032K

DC~3GHz, 2000W

Features:

- * Low VSWR
- * High Attenuation Flatness

Applications:

- * Wireless
- * Transmitter
- * Laboratory Test
- * Radar

Electrical

Frequency:	DC~3GHz
Attenuation:	40, 50dB
Attenuation Accuracy:	±2dB
VSWR:	1.4 max.
Impedance:	50Ω
Average Power* ¹ :	2000W@25°C max.
Peak Power:	10KW (5μS pulse width, 10% duty cycle)

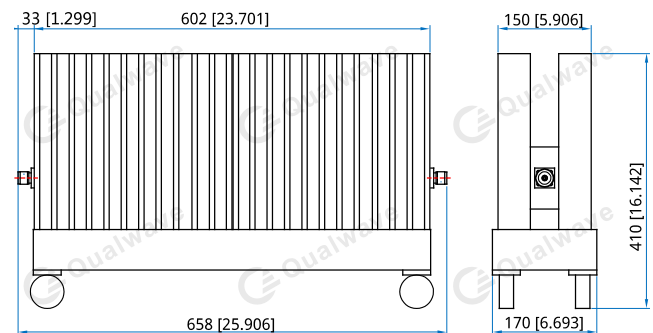
[1] Derated linearly to 200W@125°C.

Mechanical

Size:	658*170*410mm 25.906*6.693*16.142in
Weight:	30Kg
RF Connectors:	N, 7/16 DIN
Housing:	Aluminum
Outer Conductor:	Nickel plated brass
Male Inner Conductor:	Silver plated brass
Female Inner Conductor:	Silver plated beryllium copper

Environmental

Temperature:	-55~+125°C
--------------	------------

Outline Drawings


Unit: mm [in]

Tolerance: ±3%

How To Order

QFA032K-X-Y-Z

X: Frequency in GHz

Y: Attenuation in dB

Z: Connector type

Connector naming rules:

NF - N Female

N - N Male

7F - 7/16 DIN Female

7 - 7/16 DIN Male

Examples:

To order an attenuator, DC-3GHz, N female to N female, 40dB attenuation, specify QFA032K-3-40-NFNF.