

QFM12-110000-150000-9

110~150GHz, 9dBm

Features:

- * Broadband
- * Low Power Consumption

Applications:

- * Wireless
- * Transmitter
- * Laboratory Test

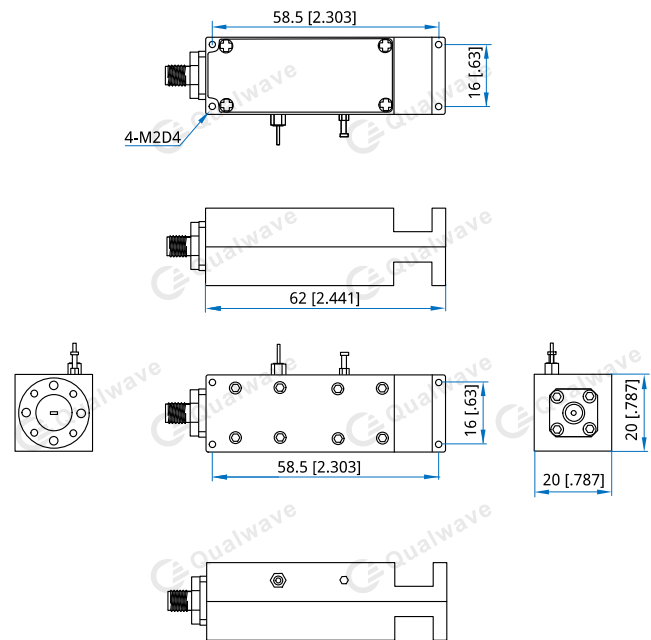
Electrical

Input Frequency:	9.16~12.5GHz
Output Frequency:	110~150GHz
Input Power:	2dBm typ. 6dBm max.
Output Power:	9dBm min.
Multiple Ratio:	12
Voltage:	+6V DC
Current:	600mA max.
Impedance:	50Ω

Mechanical

Size ^{*1} :	62*20*20mm 2.441*0.787*0.787in
RF In Connectors:	SMA Female
RF Out Connectors:	WR-6
Flange:	UG-387/U
Mounting:	4-M2mm Depth 4

[1] Exclude connectors.

Outline Drawings


Unit: mm [in]

Tolerance: ±0.2mm [±0.008in]

How To Order

QFM12-110000-150000-9

Customization is available upon request.