

QFM12-110000-170000-0

110~170GHz, 0dBm

Features:

- * Broadband
- * Low Power Consumption

Applications:

- * Wireless
- * Transmitter
- * Laboratory Test

Electrical

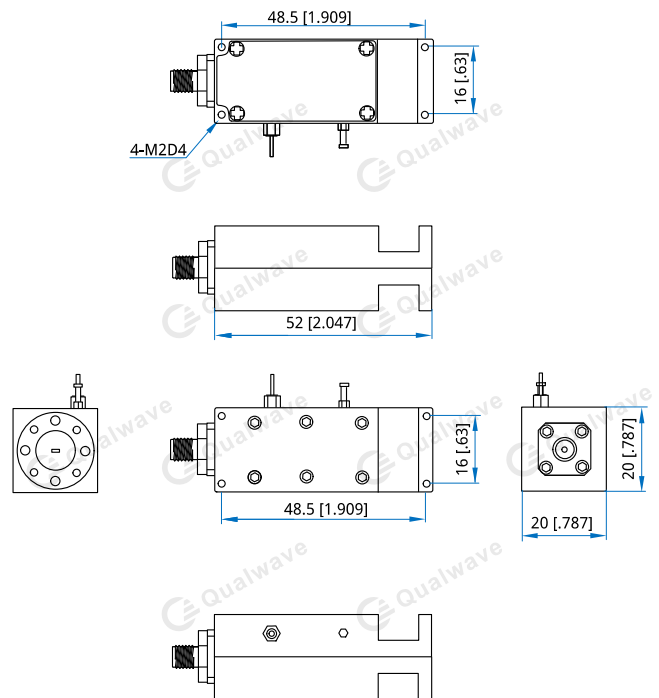
Input Frequency:	9.16~14.16GHz
Output Frequency:	110~170GHz
Input Power:	2dBm typ. 6dBm max.
Output Power:	0dBm min.
Multiple Ratio:	12
Voltage:	+6V DC
Current:	400mA max.
Impedance:	50Ω

Mechanical

Size ^{*1} :	52*20*20mm 2.047*0.787*0.787in
RF In Connectors:	SMA Female
RF Out Connectors:	WR-6
Flange:	UG-387/U
Mounting:	4-M2mm Depth 4

[1] Exclude connectors.

Outline Drawings



Unit: mm [in]
Tolerance: ±0.2mm [±0.008in]

How To Order

[QFM12-110000-170000-0](#)

Customization is available upon request.